

自控调节阀+控制器

Automatic control regulating valve+Control head



WWW.CNDONJOY.COM

国家高新技术企业 浙江省著名商标
www.cndonjoy.com

 **DONJOY 东正**

东正—直致力于重大技术进步，是您值得信赖的事业伙伴！
Donjoy committing to major technological advances, is your reliable business partner!

0.1	自控调节阀+控制器 Automatic control regulating valve +Control head
0.2	生物制药隔膜阀 Biopharmaceutical diaphragm valve
0.3	高洁净泵 High purity pumps
0.4	防混蝶阀+蝶阀 Mixing proof butterfly valve +Butterfly valve
0.5	球阀 Ball valve
0.6	截止换向阀+防混阀+罐底阀 Divert seat valve+Mixing proof valve + Tank bottom valve
0.7	角座阀+截止阀 Angle seat valve+Globe valve
0.8	止回阀+恒压阀+安全阀+减压阀 Check valve+constant pressure valve+safety valve +air release valve
0.9	清洁技术+取样阀+视镜+照明技术 Clean technology+sample valve+ sight glass +lighting technology
0.10	过滤器+人孔 Filter+man hole cover(manway)
0.11	卫生管件 Sanitary fittings ASME BPE DIN11852 Bs4825 SMS ISO IDF 3A

WWW.CNDONJOY.COM



注意：
目录技术资料仅供设计参考，
设计更新和技术升级恕不另行通知！

不断革新的技术、日新月异的市场发展和客户需求是当今我们面临的最大挑战。面对这些挑战我们信心十足，因为东正高度专业化的产品和技术创新，是我们未来将以更高、更优的产品来满足不断增长的市场需求。

Technological innovation, rapid development of the market and customer needs are the greatest challenges facing us today. Facing with these challenges we are confident, because of highly professional products and technological innovation, we will meet the growing demand of market and customer with our better and better products.

法律声明：
目录样本版本属东正所有，如有抄袭东正将追究其法律责任和经济赔偿。
东正众多技术设计，都具有专利保护，如有抄袭，东正必将追究法律责任和经济赔偿。

关于东正 About DONJOY



温州滨海经济开发区生产基地
Wenzhou binhai economic development zone production base

东正创立于1993年，注册资金5508万，是一家专注于研发高品质PID过程控制器、阀门定位器、流量控制器，阀门控制单元，高洁净过程控制阀、智能自控阀，高洁净泵、高洁净管材和管道配件。公司高度专业化的产品和专业技术专注于生物制药、食品饮料、酿酒、精细化工等工业领域。东正众多的创新解决方案，对满足全球，尤其是新兴市场不断增长生物制药和食品饮料行业的需求起到了积极作用。

东正制造的产品母材料、加工技术、焊接技术、表面处理等技术指标均已达到国内外先进水平。且符合ASME BPE、EHEDG、FDA、3A等一系列国际标准 and 规范要求，先后通过了由德国TÜV机构实施的欧盟承压设备指令(PED-97/23/EC)和(MD-06/42/EC)认证、美国3A机构实施的3-A卫生标准认证、中国安全阀特种制造设备(TS)许可证和中国质量认证中心CQC ISO9001:2008质量管理体系认证等多项国际权威认证。

东正凭借先进的技术、优异的品质和完善的售后服务体系，先后被评定为国家高新技术企业，信著名商标、省科技型企业、创新型企业、专利示范企业、研发中心企业，守合同重信用AAA 业等众多荣誉。

温州空港经济开发区生产基地
Wenzhou airport economic zone production base

占地面积29000m²，总投资1.2亿元，该基地建成后预计年可实现销售额5亿元。生产基地，新引进ABB工业机器人、日本马扎克5轴加工中心、ABB机器人抛光设备。

Covering an area of 29000 m², with total investment after construction is expected to 120 million yuan, the base to achieve sales of 500 million yuan. Production base, introduces new ABB industrial robot, Japan mazzar-e-sharif grants of five axis machining center, ABB machine Polishing equipment.

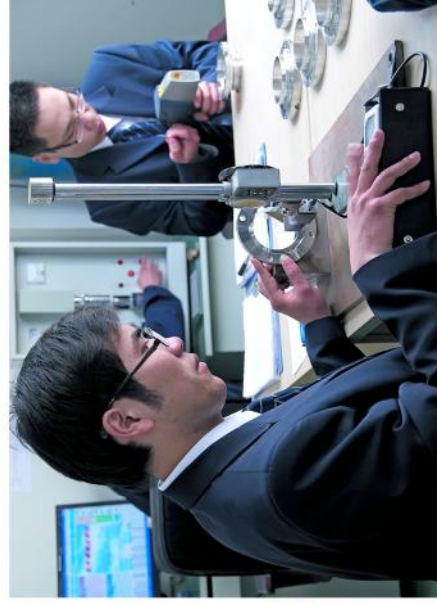
Donjoy was built up in 1993, with registered capital RMB 55,08 millions. We focus on developing high quality PID process controller, the valve positioner, the flow controller, the valve control unit, high purity process control valve, intelligent self-control valve, high purity pump, high purity tubing fitting and pipeline accessories. Donjoy's products and technologies are widely used in biopharmaceutical, food, drink, wine fine chemicals and other industrial fields. Donjoy's innovation solutions meet the growing demand of the industry of biopharmaceutical, food and beverage from the whole world, especially the emerging market.

Raw material, processing technology, welding technology, surface treatment from Donjoy have achieved advanced levels of domestic and foreign market. Donjoy productions according to ASME BPE, EHEDG, FDA and 3A standard, get certificate of PED-97/23/EC and MD-06/42/EC issued by TÜV, 3A issued by 3A organization, TS licence and ISO9001:2008.

Donjoy with advanced technology, excellent quality and perfect after-sales service system, has been assessed as the national high-tech enterprises, the Provincial Famous Trademark, the Trovincial Science and Technology Enterprises, Innovative Enterprises, Patent Model Enterprises, R & D Center, AAA Credit Enterprises.



制造与检验 Manufacturing and testing



机器人生产线

DONJOY以科学技术是第一生产力，也是企业核心竞争力，只有不断投入核心技术研发和创新，不断追求卓越，精益求精、以先进生产设备，严格的质量管理体系，精密的生产检测流程，保证每一款产品优良的性能。

Science and technology constitute a primary productive force, also the core competitive strength of the enterprise. Continuously intensifying the research, development and innovation of core technology, pursuing prominence and keeping improving, ensuring the excellent quality and performance of every single product by advanced production equipment, strict quality control and precise production and inspection procedures.

荣誉与资质 Honor and qualification

	<p>3A</p> <p>东正是美国3A认证组织的成员，3A是一个自愿组织，致力于维护公共卫生和奶制品产品质量通过独特的行业监管程序的设备，用于处理乳制品的卫生标准3A认证。东正通过认证产品，阀门系列(54-02)证书号(1580)，泵系列(02-10)证书号(1579)，管件(63-03)证书号(1581)等多种规格型号。</p>
	<p>PED/97/23/EC & MD/06/42EC</p> <p>东正通过了TUV NORD欧共体压力设备97/23/EC质量保证模式H&材料(管件)制造认证。 阀门证书 NO.CE 0036 泵类证书 NO.705201402401-00</p>
	<p>FDA177.2600</p> <p>东正生产的阀门和泵以及流体设备等，与物料接触密封圈全部通过或符合美国食品药品监督管理局和联邦法规第21条即，CRF 21 FDA177.2600和FDA177.1550认证，其涵盖： EPDM VITON(FPM) SILICON HNRPTFE橡胶塑料材料等。</p>
	<p>ISO9001/2008</p> <p>东正通过中国质量认证中心CQC，ISO9001-2008/GB/T19001-2008企业质量管理体系认证。其证书编号:00108Q24215R1M/3302</p>
	<p>卫生许可证</p> <p>东正通过了省卫生厅卫生阀门、卫生管件等检验，且获得了其颁发的证书，其编号:So083。 其许可证为国家出台的生活饮用水卫生监督管理方法证书。</p>
	<p>高新技术企业</p> <p>东正通过多年发展和技术创新已获得多项国家发明专利，100多项实用新型专利，现已成为国家高新技术企业。</p>
	<p>浙江省著名商标</p> <p>东正09年获得了温州市著名商标，2012年获得了浙江省著名商标。</p>

DONJOY不但拥有以上认证和荣誉，且被评定为省科技型、创新型、专利示范、研发中心、守合同信用企业等众多的荣誉证书。



DONJOY 创新设计
 发明专利 实用新型专利 外观专利
 DONJOY innovative design
 Invention patent, Utility model patent,
 Design patent

AS-Interface DeviceNet



WWW.CNDONJOY.COM

东正众多的控制器设计
 DONJOY many of the controller design

阀门定位器/过程控制器

ILTOP: IP67防护
 IL-TOP-S: 防爆等级EX DII BT4
 模拟信号输入: 0/4-20mA, 0-5/10V
 模拟信号输出: 0/4-20mA, 0-5/10V
 总线协议: DEVICE NET BUS
 电源: DC24V

阀门控制单元

C-TOP
 MINI-C-TOP
 位移版: 自整定阀位功能, 4-20mA输出, DC24V输出
 机械调节版: 感应块和感应开关对应, DC24V输出
 总线协议: AS-I BUS
 电源: DC24V/AC220V/110V

Valve Positioner/PID process controller

ILTOP: IP67 protection
 IL-TOP-S: Explosion levels EX DII BT4
 Analog signal input: 0 / 4-20mA, 0-5 / 10V
 Analog signal output: 0 / 4-20mA, 0-5 / 10V
 Bus protocol: DEVICE NET BUS
 Power: DC24V

Valve controller

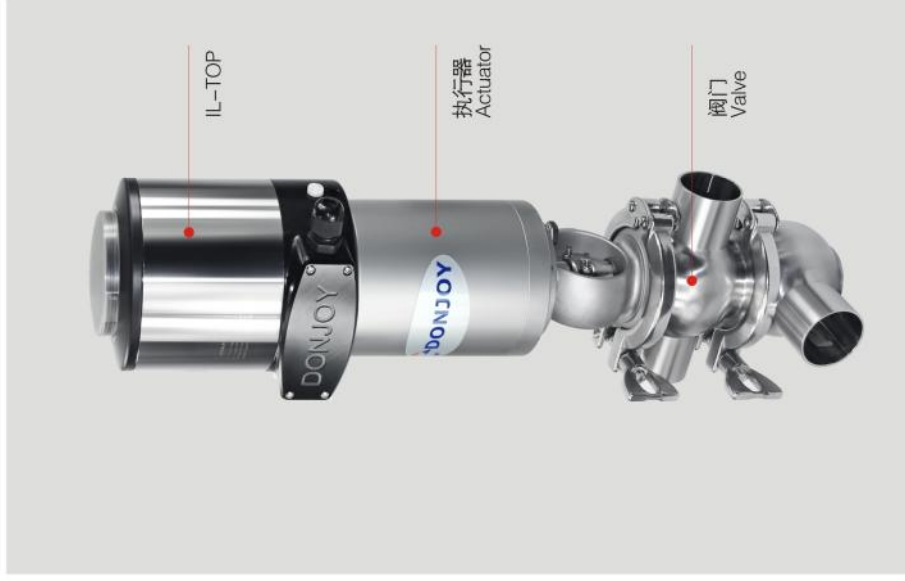
C-TOP
 MINI-C-TOP
 Displacement version: self-tuning valve function, 4-20mA output, DC24V output
 Mechanical adjustment edition: induction block and corresponding sensor switch, DC24V output
 Bus protocol: AS-I BUS
 Power: DC24V / AC220V / 110V



C-TOP

执行器
Actuator

阀门
Valve



IL-TOP

执行器
Actuator

阀门
Valve



三片蝶阀+定位器
3 pcs Butterfly Valve
+Positionner



无菌无滞留调节阀
Sterile Non-retention
Regulating Valve



隔膜阀+定位器
Diaphragm Valve+
Positionner



三片球阀+定位器
3pcs Ball Valve+
Positionner



IL-TOP(阀门定位器/过程控制器/流量控制器) IL-TOP (valve positioner, process controller, flow controller)



应用Applications

该控制器(IL-TOP)主要应用在各种流体过程控制和流量控制系统上。IL-TOP可以安装到各种直行程的执行器,如:气动角座阀、气动隔膜阀、气动蝶阀、气动截止阀、气动球阀等各种适用作为流量调节的阀门上,IL-TOP与执行器装配特别简单,特别适用于对洁净要求较高的工况上。

This controller (IL-TOP) is mainly used in all kinds of fluid process control and flow control system. IL-TOP can be installed to all kinds of Linear actuators, such as pneumatic angle seat valve, pneumatic diaphragm valve, pneumatic butterfly valve, pneumatic Divert Seat valve, pneumatic ball valve and other applicable as traffic Section of the valve, IL-TOP with actuator assembly is particularly simple, particularly suitable for clean on the condition of high demand.



功能

- ◆ 0/4...20mA到0...5/10V信号输入(标准)
- ◆ 0/4...20mA位置反馈输出(选项)
- ◆ Device NET 总线协议控制(选项)
- ◆ 可选配单作用/双作用功能(选项)
- ◆ 直行程/角行程(选项)
- ◆ 电源DC.24V
- ◆ 气源压力5.0-7.0Bar
- ◆ 气接头G1/8"
- ◆ IP67防护等级

Functions

- ◆ 0/4...20mA to 0... 5/10v Signal input (standard)
- ◆ 0/4...20mA Position feedback output (Options)
- ◆ Device Net bus control (Options)
- ◆ Air/Spring or Air/Air(Options)
- ◆ Linear Actuator/Rotary Actuator(Options)
- ◆ Supply: DC.24V
- ◆ Air pressure: 5.0-7.0 Bar
- ◆ Air supply: G1/8"
- ◆ Protect class: IP67

技术特点

该控制器可以用作定位器或者过程控制器。作为定位器，可根据设定值设置阀门位置。作为过程控制器，微处理器可接收来自控制信号单元阀门位置设定信号和阀体检测单元相比较，通过PID控制算法，驱动压电阀控制从而实现阀门准确目标位置。

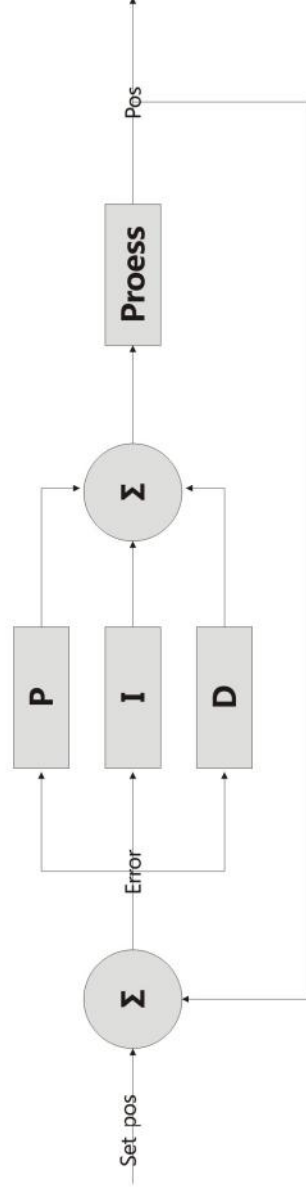
该控制器，由微型处理器-控制信号检测单元-位置检测器-LCD显示-键盘单元-压电阀控制单元等部件组成。

Technical Specifications

This controller can be used as a locator or processing controller. As a positioner, it can locate valve position by setting value. As a processing controller, MPU will receive signal from control unit by comparing setting position value of valve with Actual position of valve, through PID control algorithm, Processing controller will drive valve to exact target position of valve.

The controller is composed of MPU, detection unit of control signal, position detection, LCD display, keyboard, piezoelectrics valve, etc.

定位器控制原理图 Positioner control schematics



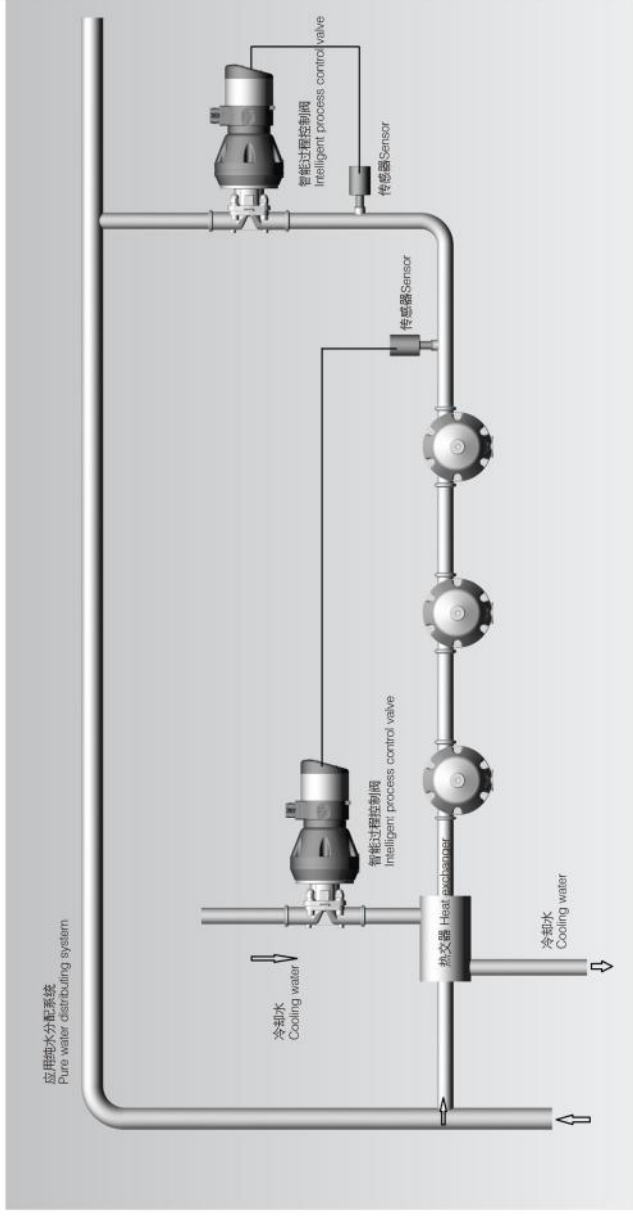
setpos
Actual
error
p
i
d
proess

Set the displacement value, by the InP terminal or bus inputpos
position value, by displacement sensor
Difference setpos and POS
Proportion of PID controller
Integral PID controller
Differential PID controller
According to the PID results of operation adjustment valve lift

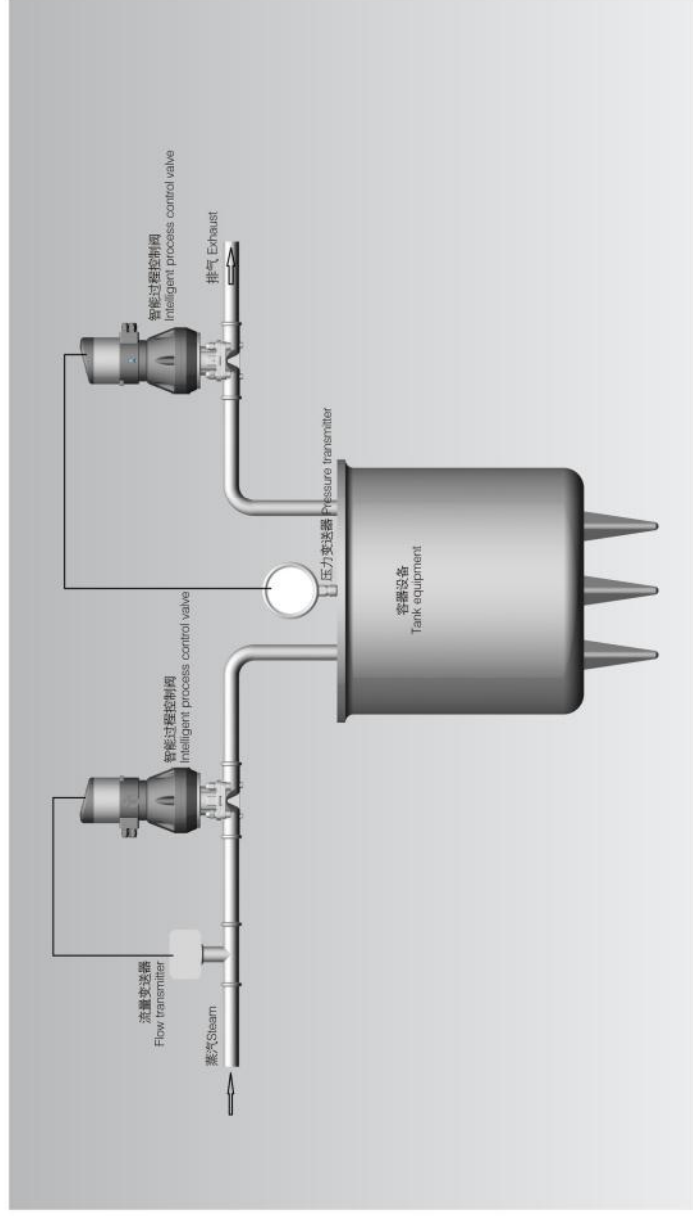


过程控制器IL-TOP Process controller IL-TOP

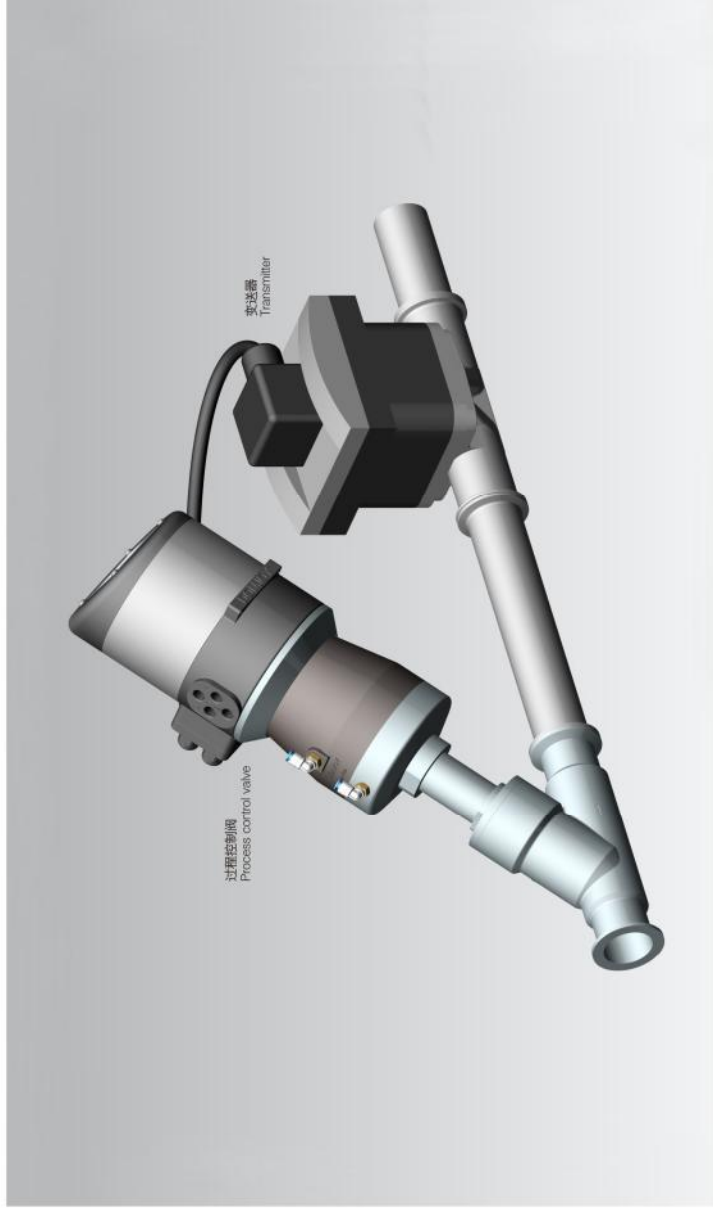
过程控制阀(医药用水系统分配应用举例)
Process control valve (Medicine water system distribution application)



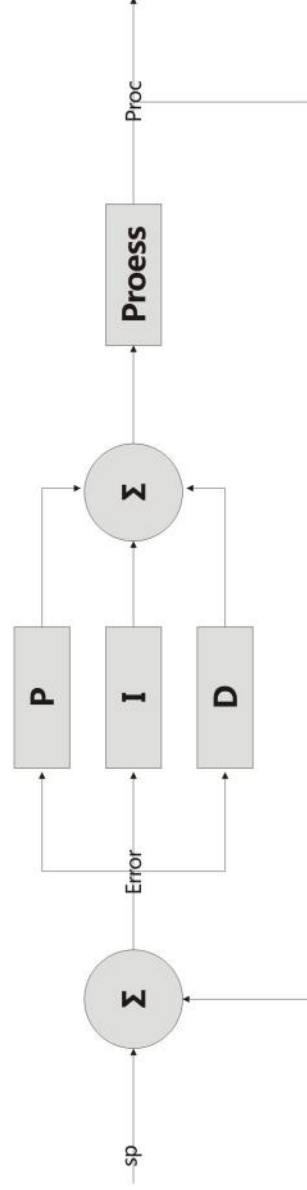
过程控制阀反应罐应用举例
Process control valve (Reaction tank application example)



过程控制阀 Process control valve



过程控制示意图 Process control schematics



sp
proc
error
p
i
d
process

Process of setting value, by the Inp terminal or bus input
Actual process of value, the transmitter acquisition
Difference SP and proc
Proportional of PID controller
Integral PID controller
Differential PID controller
According to the PID results of operation adjustment valve lift



过程控制器IL-TOP Process controller IL-TOP

操作菜单

- ◆初次调试时设置基本功能并可选择附加功能操作菜单。
- ◆通电后, 应启动自整定(长按上移键5(S), 确保气源压力4-7bar, 自整定过程约5min, 如出现ERRXX报警
(检查: 气压、执行机构、阀门)。
- ◆自动和手动切换, 短按/次即可实现
(绿色灯闪亮 = 自动, 绿色灯常亮 = 手动)
- ◆手动操作: 点上、下移动键, 即可实现阀位上下移动
(注意: 点按微量移动)
- ◆自动操作: IL-TOP采集外部设备信号(如PLC、变送器等等)
通过PID运算达到目标位置。

Operation menu

- ◆Origin set the basic function and can choose to supplementary function process.
- ◆After electrify, should start from the setting (long press up health 5 / S), to ensure that the air pressure 4 to 7 bar. Self-tuning process for about 5 min, if appear ERRXX alarm (check: pressure, actuators, valves).
- ◆Automatic and manual switch, short press/time can be realized (green light shining = automatic, green light normally on = manual)
- ◆Manual operation: click the move up, down, move up and down the valve position can be realized(note: click trace mobile)
- ◆Automatic operation: IL-TOP acquisition external devices (such as PLC, transducer, etc.) Through the PID operation to reach the target location.



基本功能 = 5芯 Basic Function=5 Core
反馈功能 = 8芯 Feedback Function=8 Core

上移键Up key
下移键Down key
确定键Confirm key

多针孔插头连接器
Multi pinholes Plug Connector



直通式插头 Straight Plug



弯头式插头 Elbow Plug



接线盒

Terminal box:

接线说明:

Explain the basic function of wiring
Power = DC24V +
DC24V -
The signal input =
AIN +
AIN -

电源DC24V+
电源DC24V-
信号输入AIN+
信号输入AIN-

连接器

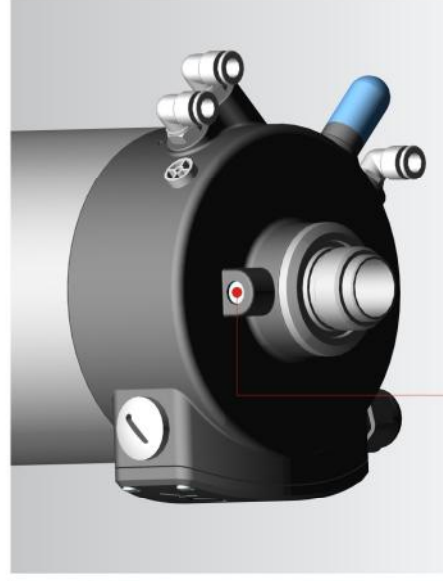
Connector

连接器螺栓

Connector bolts

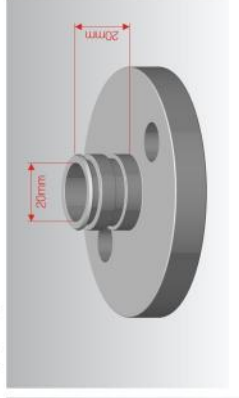
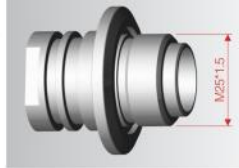


LCD方向显示可旋转
LCD display can be rotated direction



松开2颗螺栓, LCD显示方向调整

Loosen 2 of Bolts, LCD display adjust the direction



注意:
LCD显示方向调整时, 先松开连接器的螺栓后, 才能进行调整, 禁止未松开螺栓进行调整, 反之有可能会损坏控制部件。

Notes:
When adjustment of the LCD display orientation, first loosen the bolt connector can be adjusted, forbidden to adjust without loosen the bolt otherwise the control unit will be damaged.

执行器与定位器连接支架
Connection Brackets of Actuator and Positioner



过程控制器IL-TOP Process controller IL-TOP

IL-TOP安装尺寸图Installation dimensions

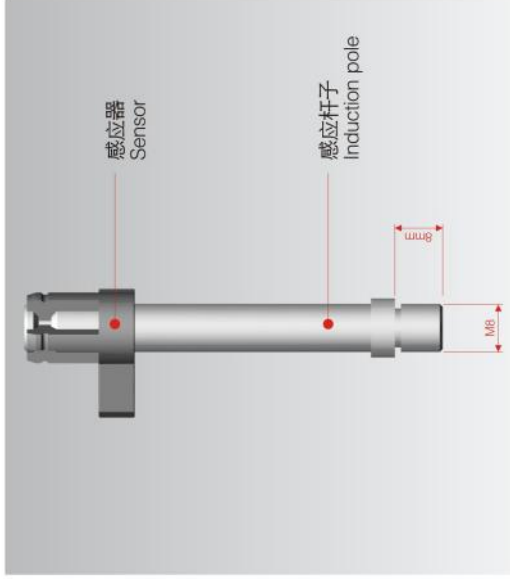
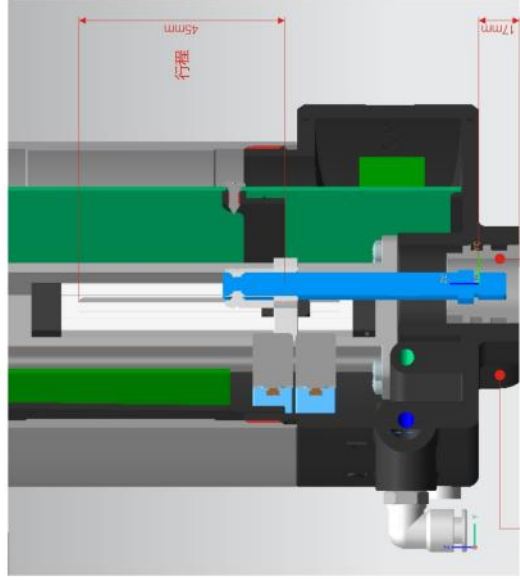


装配

该控制器与气动执行器安装非常的简单，LCD显示方向也是可调整。逆时针取下透明盖子(1)，操作键盘，用M5 扳手松开底座 2颗螺栓(4)用手轻易的转动此时可以调整至您需要的显示方向，用扳手重新拧紧2颗螺栓。松开接线盒(3)4 颗螺钉并取下打开盒子，根据接线图进行(禁止非专业人员操作)。执行机构和控制器连接，需要连接器把控制器和执行机构连接在一起。

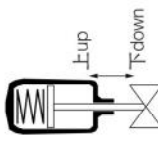
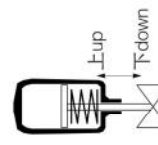
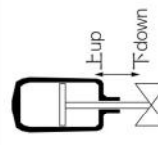
Assembly

IL-TOP with actuator assembly is very simple. LCD display direction also can be adjust. Counterclockwise to remove the transparent cover (1). keyboard, M5 wrench to loosen the base with two screws (4) by hand turning point can be adjusted easily to display the direction you need to use a wrench to re-tighten the two screws. Loosen the terminal box (3) four screws and remove the open box, performed (prohibiting non-professional operation) according to wiring diagram. Actuators and controllers are connected, you need to put together the connector controller and actuator.



⑤ 安装注意
Installation Note:
极限行程 limit Route: 45mm

气源连接和功能设置 Air connection and function setting

执行机构类型 Actuator type	名称 name	阀位
	单作用 Single-acting	上开/常开 NC/NO
	单作用 Single-acting	下开/常开 NC/NO
	双作用 Double-acting	取决于气源 连接和菜单设置 Depending on Air Supply Connection and Menu Setting



简单清晰的气路连接

1 = 工作口
2 = 工作口
R = 消声器
P = 气源供给
单作用 = 1 工作口
双作用 = 1和2工作口(根据常闭和常开选择)

Simple air connection:

1=Working Port (Single-acting)
2=Working Port (Double-acting)
R=Mufflers
P=Air source supply

订购信息 Order information 圆形定位器-IL-TOP Round Controller -IL-TOP

型号 TYPE	功能介绍 Features	位置反馈 Position feedback	说明 Description
IL-TOP-001-M	定位器+过程控制 Locator + Process Control	4-20mA/0-5/10V	单作用 S Single-acting
IL-TOP-002-M	定位器+过程控制 Locator + Process Control	4-20mA/0-5/10V	双作用 Double-acting
IL-TOP-001	定位器+过程控制 Locator + Process Control	NO	单作用 Single-acting
IL-TOP-002	定位器+过程控制 Locator + Process Control	NO	双作用 Double-acting
IL-TOP-001-BUS	定位器+过程控制+总线 Locator + Process Control+BUS		单作用+DEVICE NET BUS Single-acting+DEVICE NET
IL-TOP-002-BUS	定位器+过程控制+总线 Locator + Process Control+BUS		双作用+DEVICE NET BUS Double-acting+DEVICE NET



IL-TOP控制阀(各种结构调节阀) IL-TOP control valve (various structure regulator)



三片球阀+定位器
3pcs Ball Valve+Positioner

蝶式球阀+定位器
Butterfly Type Ball Valve
+Positioner

直通球阀+定位器
Directly Ball Valve
+Positioner

三通球阀+定位器
3 Way Ball Valve
+Positioner

调节阀

- ◆ SIZE: 1" - 4", DN25 - DN100
- ◆ 工作压力: 10bar
- ◆ 气源压力: 4-7bar
- ◆ 材质: 304/316L (1.4301/1.4404), 1.4435 Nb2
- ◆ 工作温度: -10°C到130°C
-10°C到150°C(角座阀、截止阀)
- ◆ 信号输入: 0/4-20mA, 0-5/10V
- ◆ 反馈输出: 0/4-20mA, 0-5/10V(选型)
- ◆ 总线协议: DEVICE NET BUS(选型)
- ◆ 电源: DC 24V
- ◆ 防护等级: IP67
- ◆ 操作界面: LCD显示屏

Regulating valve

- ◆ SIZE: 1" - 4", DN25 - DN100
- ◆ Working Pressure: 10 bar
- ◆ Air pressure: 4 to 7 bar
- ◆ Material: 304/316 L (1.4301/1.4404) and 1.4435 Nb2
- ◆ Working temperature: - 10 °C to 130 °C
- 10 °C to 150 °C
(Angle seat valve, stop Reversing valve)
- ◆ Signal input: 0/4-20 mA, 0-5/10V
- ◆ Output feedback: 0/4-20 mA, 0-5/10V (selection)
- ◆ BUS protocol: DEVICE NET BUS (selection)
- ◆ Power supply: DC 24V
- ◆ Protection grade: IP67
- ◆ Operation interface: LCD display

调节阀详细参数请查阅, 各种调节阀门的相关资料。
Regulator, please refer to detailed parameters, related data of various kinds of regulating valve.



无菌无滞留调节阀
Sterile Non-retention
Regulating Valve



角度阀+定位器
Angle Seat Valve+Positioner



截止阀+定位器
Cut-off Valve+Positioner



三片蝶阀+定位器
3pcs Butterfly Valve+Positioner



蝶阀+定位器
Butterfly Valve+Positioner



隔膜阀+定位器
Diaphragm Valve+Positioner



注意：有关各种调节阀的详细信息请查阅调节的资料。
Note: for details of all kinds of regulating valve, please refer to adjust the data.



阀门定位器 IL-TOP-S Valve positioner IL-TOP-S



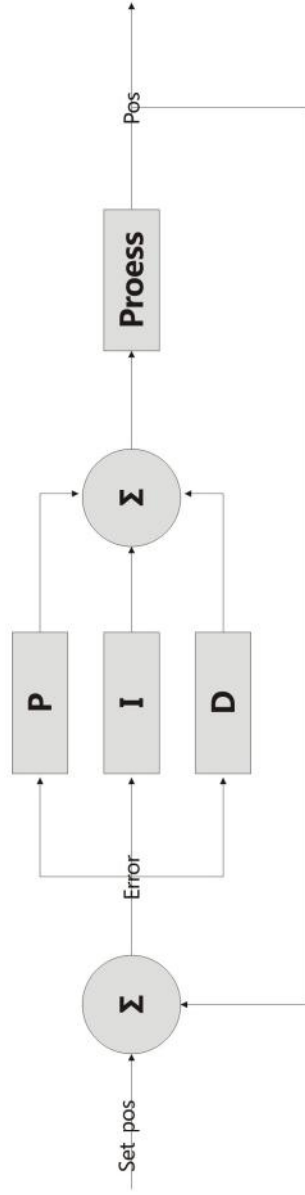
该定位器 (IL-TOP-S) 应用各种流体过程控制盒流量控制系统上, 可安装到各种角行程的执行器, 如气动蝶阀、球阀、截止阀、闸阀等各种适用于流量调节的气动阀门。

The locator (IL-TOP-S) application of various fluid process control box flow control system, can be installed to a variety of angular travel actuator, such as pneumatic butterfly valve, ball valve, gate valve, globe valve etc. suitable for flow control of pneumatic valve.

功能特点Features:

- 防爆认证Explosion certification: EXD II BT4
- 防护等级Protection grade: IP67
- 信号输入Input signal: 0-4/20mA, 0-5/10V
- 信号反馈Feedback signal: 0-4/20mA, 0-5/10V
- 总线协议Bus protocol: DEVICE NET BUS
- 气源压力Air pressure: 4-7Bar
- 操作界面Operation Interface: LCD显示屏display

定位器控制原理图 Positioner control schematics



setpos
Actual
error
p
i
d
proess

Set the displacement value, by the InP terminal or bus inputpos position value, by displacement sensor
Difference setpos and POS
Proportion of PID controller
Integral PID controller
Differential PID controller
According to the PID results of operation adjustment valve lift

技术特点

该控制器可以用作定位器或者过程控制器。作为定位器, 可根据设定值设置阀门位置。作为过程控制器, 微处理器可接收来自控制信号单元阀门位置设定信号和阀体检测单元相比较, 通过PID控制算法, 驱动压电阀控制从而实现阀门准确目标位置。

该控制器, 由微型处理器-控制信号检测单元-位置检测器-LCD显示-键盘单元-压电阀控制单元等部件组成。

Technical Specifications

This controller can be used as a locator or processing controller. As a positioner, it can locate valve position by setting value. As a processing controller, MPU will receive signal from control unit by comparing setting position value of valve with Actual position of valve, through PID control algorithm, Processing controller will drive valve to exact target position of valve.

The controller is composed of MPU, detection unit of control signal, position detection, LCD display, keyboard, piezoelectrics valve, etc.



操作菜单

- ◆初次调试时设置基本功能并可选择附加功能操作菜单。
- ◆通电后，应启动自整定(长按上移键5S)，确保气源压力4-7bar，自整定过程约5min，如出现ERRXX报警(检查：气压、执行机构、阀门)。

- ◆自动和手动切换，短按/次即可实现(绿色灯闪亮 = 自动，绿色灯常亮 = 手动)
- ◆手动操作：点上、下移动键，即可实现阀位上下移动(注意：点按微量移动)
- ◆自动操作：IL-TOP采集外部设备信号(如PLC、变送器)通过PID运算达到目标位置。

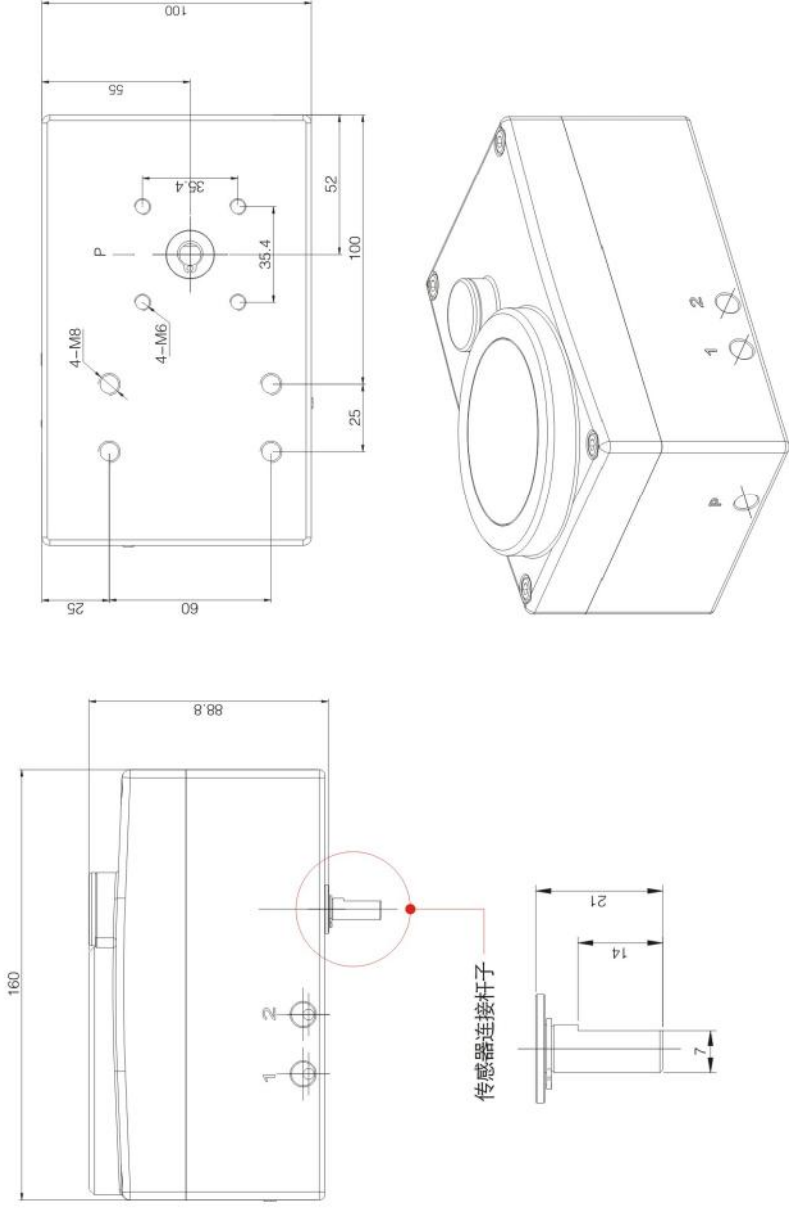
Operation menu

- ◆Origin set the basic function and can choose to supplementary function process.
- ◆After electricity, should start from the setting (long press up health 5 / S), to ensure that the air pressure 4 to 7 bar, Self-tuning process for about 5 min, if appear ERRXX alarm (check: pressure, actuators, valves).
- ◆Automatic and manual switch, short presstime can be realized (green light shining = automatic, green light normally on = manual)
- ◆Manual operation: click the move up, down, move up and down the valve position can be realized(note: click trace mobile)
- ◆Automatic operation: IL-TOP acquisition external devices (such as PLC, transducer, etc.) Through the PID operation to reach the target location.



阀门定位器IL-TOP-S Valve positioner IL-TOP-S

定位器安装尺寸图 Positioner mounting dimensions



简单清晰的气路连接:

- 1 = 工作口1 (适用单作用)
- 2 = 工作口2 (1和2 = 双作用)
- P = 气源供给
- R = 消声器

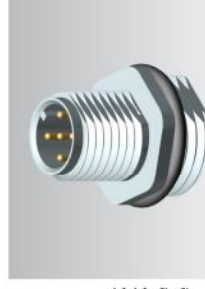
Simple air connection:

- 1=Working Port (Single-acting)
- 2=Working Port (Double-acting)
- P=Air supply
- R=Mufflers



多针孔插头连接器
Multi pinholes Plug Connector

基本功能 = 5芯
反馈功能 = 8芯
Basic Function=5 Core
Feedback Function=8 Core

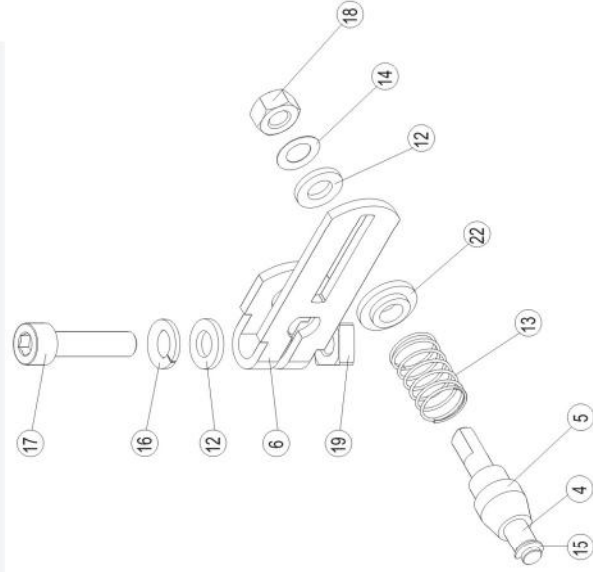
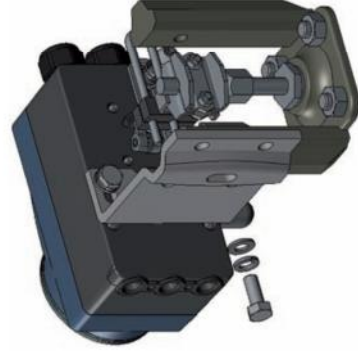
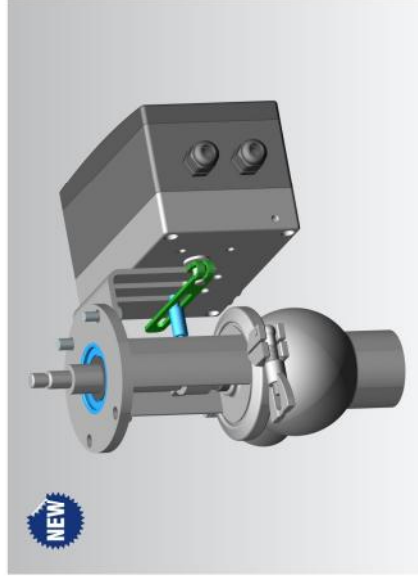


直通式插头 Straight Plug



弯头式插头 Elbow Plug

定位器侧面安装支架 Side Mounting Brackets for Positioner



Legend

No.	Name
4	Driver pin
5	Conical roller
6	Lever
12	
13	
14	
15	
16	
17	
18	
19	
22	

For a description of the numbering, refer to Table 10: Attachment kit for linear actuators

Assembling the lever

The gap between the driver pin and the shaft should be the same as the drive stroke. As a result, the lever has a swing range of 60° (see Figure 15).

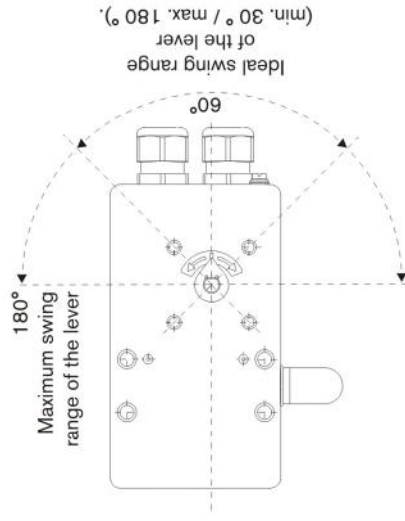


Rotation range of the position sensor:

The maximum rotation range of the position sensor is 180°.

Swing range of the lever:

To ensure that the position sensor operates at a good resolution, the swing range of the lever must be at least 30°. The swing movement of the lever must be within the position sensor rotation range of 180°. The scale printed on the lever is not relevant.

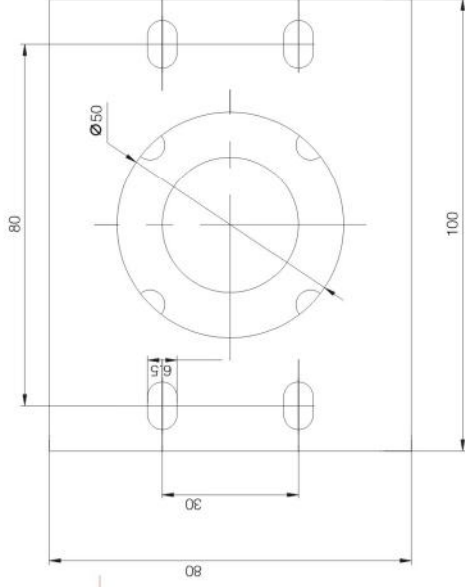
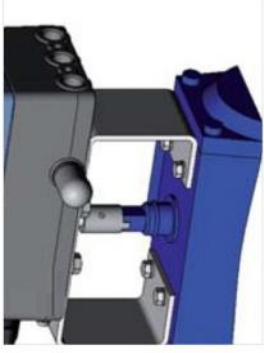


The swing movement of the lever must be within the position sensor rotation range of 180°.



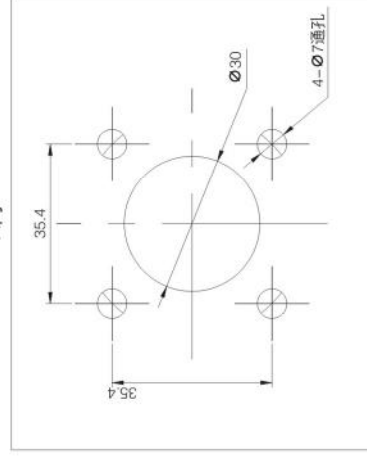
阀门定位器IL-TOP-S Valve positioner IL-TOP-S

定位器安装角行程执行器 Positioner Assembly rotary actuator



与执行器连接孔距尺寸
Connection Hole Size with actuator

A向



与定位器连接孔距尺寸
Connection Hole Size with Positioner

可提供各种角行程的执行器，如蝶阀、球阀等各种阀门。
规格：1"-12"，DN25-DN200

Can provide various Rotary actuators, such as butterfly valves, ball valves and other valves.
Specifications: 1" to 12", DN25 - DN200



各种气动阀门+定位器 Various pneumatic valves + locator

调节阀

- ◆ SIZE: 1" - 4", DN25 - DN100
- ◆ 工作压力: 10bar
- ◆ 气源压力: 4 - 7bar
- ◆ 材质: 304/316L (1.4301/1.4404), 1.4435 Nb2
- ◆ 工作温度: -10°C到130°C
-10°C到150°C(角座阀、截止阀)
- ◆ 信号输入: 0/4 - 20mA, 0 - 5/10V
- ◆ 反馈输出: 0/4 - 20mA, 0 - 5/10V(选型)
- ◆ 总线协议: DEVICE NET BUS(选型)
- ◆ 电源: DC 24V
- ◆ 防护等级: IP67
- ◆ 操作界面: LCD显示屏

Regulating valve

- ◆ SIZE: 1" - 4", DN25 - DN100
- ◆ Working pressure: 10 bar
- ◆ Air pressure: 4 to 7 bar
- ◆ Material: 304/316 L (1.4301/1.4404) and 1.4435 Nb2
- ◆ Working temperature: - 10 °C to 130 °C
- 10 °C to 150 °C
(Angle seat valve, stop Reversing valve)
- ◆ Signal input: 0/4 - 20 mA, 0 - 5/10V
- ◆ Output feedback: 0/4 - 20 mA, 0 - 5/10V (selection)
- ◆ BUS protocol: DEVICE NET BUS (selection)
- ◆ Power supply: DC 24V
- ◆ Protection grade: IP67
- ◆ Operation Interface: LCD display



订购信息 Order information IL-TOP-S 方形定位器 IL-TOP-S Square Controller

型号 TYPE	功能介绍 Features	位置反馈 Position feedback	说明 Description
IL-TOP-S--001-M	定位器+过程控制 Locator + Process Control	4-20mA/0-5/10V	单作用 Single-acting
IL-TOP-S--002-M	定位器+过程控制 Locator + Process Control	4-20mA/0-5/10V	双作用 Double-acting
IL-TOP-S--001	定位器+过程控制 Locator + Process Control	NO	单作用 Single-acting
IL-TOP-S--002	定位器+过程控制 Locator + Process Control	NO	双作用 Double-acting
IL-TOP-S--001-BUS	定位器+过程控制+总线 Locator + Process Control+BUS		单作用+DEVICE NET BUS Single-acting+DEVICE NET
IL-TOP-S--002-BUS	定位器+过程控制+总线 Locator + Process Control+BUS		双作用+DEVICE NET BUS Double-acting+DEVICE NET

IL-TOP-S 方形定位器 IL-TOP-S Square Controller

防爆等级: EXD II BT4

型号 TYPE	功能介绍 Features	位置反馈 Position feedback	说明 Description
IL-TOP-S--001-M-EX	定位器+过程控制 Locator + Process Control	4-20mA/0-5/10V	单作用-防爆等级 Single-acting - Explosion levels
IL-TOP-S--002-M-EX	定位器+过程控制 Locator + Process Control	4-20mA/0-5/10V	双作用-防爆等级 Double-acting - Explosion levels
IL-TOP-S--001-EX	定位器+过程控制 Locator + Process Control	NO	单作用-防爆等级 Single-acting - Explosion levels
IL-TOP-S--002-EX	定位器+过程控制 Locator + Process Control	NO	双作用-防爆等级 Double-acting - Explosion levels
IL-TOP-S--001-BUS-EX	定位器+过程控制+总线 Locator + Process Control+BUS		单作用, DEVICE NET BUS-防爆 Single-acting, DEVICE NET BUS- explosion
IL-TOP-S--002-BUS-EX	定位器+过程控制+总线 Locator + Process Control+BUS		双作用, DEVICE NET BUS-防爆 Double-acting, DEVICE NET BUS- Explosion



新一代阀门控制单元-C-TOP-II New design control unit C-TOP-II



技术承诺:

- 自整定阀位功能反馈
- 支持模拟信号(4-20mA)&电信号(DC24V)输出
- 支持AS-I BUS总线
- 支持手动和自动操作

Technology promise:

- Self-adjusting valve position feedback
- Analog signal (4-20mA) or electrical signal (DV24V) output
- AI-S BUS communication
- Manual or automatic operation

应用Applications

C-TOP 是个气动控制头，为确保优化控制过程阀门而设计的。它与大多数带数字PLC(可编程逻辑控制器)自动化系统兼容。在食品、饮料 和生物制药的工业中，可配置到各种气动阀门如防混阀、蝶阀、球阀、隔膜阀、换向阀、截止阀等阀门。

C-TOP is a pneumatic control head which is designed to ensure optimum control valve. It is compatible with most PLC with figure and(AS-I bus)communications. In food, beverage, pharmacy industries. Can be configured to all kinds of pneumatic valves such as mixing valve, butterfly valve, ball valve, diaphragm valve, reversing valve, cut-off valve, etc.



工作原理 Operating Principles

C-TOP是个控制头，它集结了信号发送和指挥设备来监控所有类型的(活塞)过程阀门，该原件(在一个单独的部件中)包括以下操作特点：

- ◆ 气动和电动阀门的控制
- ◆ 带信号反馈的位置指示器
- ◆ 该控制头适合安装在气动装置的阀门上，它从控制板或PLC上接收信号，以此来操纵和发送信号到或阀门位置上。另外，C-TOP配有3个信号LED指示灯，可以随时显示阀门的状态。
- ◆ 绿色：阀门处于开启状态
- ◆ 红色：阀门处于关闭状态
- ◆ 黄色：阀门正在进行第三个位置(防混阀)的操作

C-TOP is a head incorporates signal sending and command devices to monitor all the process valves. such part has the following features:

- ◆ Controlled by pneumatic or electrical actuators
- ◆ Position indicator with signal feedback.
- ◆ The control head can be fixed with pneumatic valves. it picks signal from control board or PLC so as to operate and send signal to the valves. In addition, there are three LED signal indicator in the C-TOP box. which indicate the status of the valves.
- ◆ Green: open
- ◆ Red: close
- ◆ Yellow: valve is operating in the third position



选项 Options

- ◆ 单作用 -1个电磁阀
- ◆ 双作用 -2个电磁阀
- ◆ 防混双座 -3个电磁阀

机械调整阀位：

- ◆ 开或关阀门位置 -1个感应探测器
- ◆ 开和关阀门位置 -2个感应探测器
- ◆ 阀门位置：开、关、用于清洗的下位提升阀
- ◆ 提升(双座/防混阀) -3个感应探测器

自整定阀位：

- ◆ 一只传感器多个位置点反馈
- ◆ 自整定阀位功能
- ◆ 模拟信号输出4-20mA
- ◆ 电信号输出DC24V
- ◆ 多针孔插头

Options

- ◆ Single act--one solenoid valve
- ◆ Double act--two solenoid valves
- ◆ Mix-proof double seat valve--three solenoid valves

Valve Position mechanical adjusted:

- ◆ Open or close--one sensor
- ◆ Open and close--two sensors
- ◆ Valve position: open, close, cleans the lower seat
- ◆ Seat lift(mix-proof valve)--three sensor

Valve Position self-adjusting:

- ◆ 1pc sensor with multi position feedback
- ◆ Valve position self-adjusting function
- ◆ Analog signal (4-20mA) output
- ◆ Electrical signal (DC24V) output
- ◆ Multiple pinhole plug

技术规格

- ◆ 最大工作温度：70°C
- ◆ 介质：润滑的压缩空气，惰性气体
- ◆ 气动连接：G1/8"
- ◆ 工作压力：1.5 bar到7 bar(22PSI到102 PSI)
- ◆ 空气流量：200NL
- ◆ 保护等级：IP67
- ◆ 行程：最小3mm 最大70mm
- ◆ 最大C-TOP 单位：31组(或从属)
- ◆ 连接电缆：2m
- ◆ 总线电缆：最大1m
- ◆ 总线电缆(不包括)：2线用于数据，和30V Dc电压
- ◆ AS-I卡规格：2.1
- ◆ AS-I卡最大容量：4输入和4输出(4个电磁阀和4个探测器)

Technical Specifications

- ◆ Max operating temperature: 70°C
- ◆ Medium: lubricated compressed air, Inert gases
- ◆ Air connection: G1/8"
- ◆ Working pressure: 1.5bar-7bar(22PSI-102PSI)
- ◆ Air flux: 200NL
- ◆ Protection class: Ip67
- ◆ Journey: Min 3mm. Max 70mm
- ◆ Max 31 C-TOP units
- ◆ Cable length: 2m
- ◆ Max.Length of AS-I BUS 1M
- ◆ AS-I Bus: two cables are used for digital and 30V DC vltage.
- ◆ AS-I card size: 2.1
- ◆ AS-I card capacity: four input and four output (4 solenoid valves and four sensors)



新一代阀门控制单元-C-TOP-II

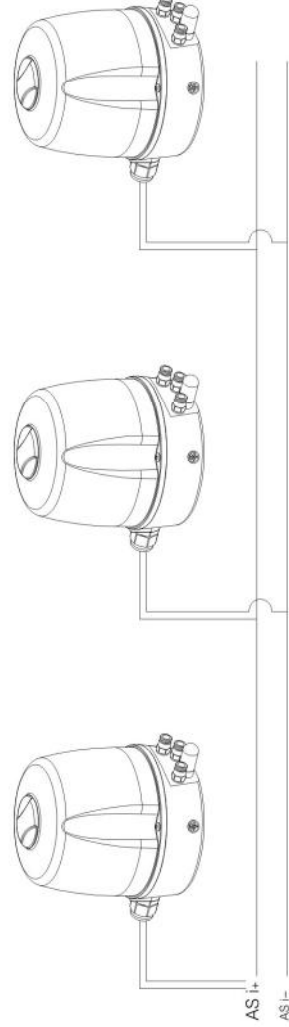
New design control unit C-TOP-II

AS-I总线版本工作原理

- ◆ AS-I 界面是一个现场总线系统，它可将执行器和传感器(探测器)网络连接到更高一级的控制设备(主控制器)上。
- ◆ 创建一个AS-I网络，需要电源，一个或几个主控制模块，总线电缆(执行电缆)和为AS-I连接(特别的内置卡，连接电缆，绝缘置换连接器)做准备的C-TOP。
- ◆ AS-I现场总线的电压由电源供应。
- ◆ 传感器和电磁阀由主控制模块控制。
- ◆ 每个主控制器传输信息到PLC并且最多可以控制 31个 C-TOP的单位。
- ◆ 相互的连接通过执行电缆来实现。执行电缆不仅用来传输信息，也为电磁阀和探测器提供电源。
- ◆ AS-I版本的C-TOP必须同感应探测器和24V Dc安装在—起。
- ◆ C-TOP 的执行电缆和总线电缆通过绝缘置换连接器来连接，因此，无需通过电缆将每个C-TOP和控制系统连接在—起。

每个主控制器可以连接31个C-TOP单位

Each main controller can connect 31 pieces C-TOP unit.



设计和特点Design and Features

- ◆ 通过AS-I总线可以简单、快速、并且经济的将传感器和电磁阀(执行器)进行相互连接。由于电缆布线的大量减少，使工厂的装配和启动更加便利。另外，缩短了启动时间，并且避免了一些可能发生的安装错误。
- ◆ 部件同标准的C-TOP—样。唯一改变的部件是内置卡，AS-I绝缘置换连接器的连接电缆和连接器本身。
- ◆ Connecting sensors with solenoid valve(actuator)easily,fast;economically by AS-I bus-mastering. since cables are largely decreased, installation and start up become more convenient. Besides, start time is shortened, and some hidden troubles in the installation can be avoided.
- ◆ Parts are same as standard C-TOP.The only changed part is the built-in card, AS-I insulation replacement connector and the cable connector itself.



AS-I bus version operating principles

- ◆ AS-I interface is a spot bus-mastering, it connect actuators and with sensors network to a high level control equipment (main controller)
- ◆ The creation of a AS-I network needs power, one or several control module, bus-mastering (implement cable),C-TOP that prepared for AS-I connection (special built-in card, connect cable, insulated replacement connector)
- ◆ The power supplies voltage for AS-I spot
- ◆ Sensors and solenoid transfer information to PLC, and can control up
- ◆ To 31 pieces C-TOP
- ◆ Implement cables ensure interact connections smoothly, the cables not only transfer information, but also supply power for sensors and solenoid valves
- ◆ AS-I C-TOP must be installed with sensor and 24V DC insulated replacement connector is used to connect the implement cables for C-TOP with bus-mastering cables Therefore, it doesn't need any cable to connect C-TOP with control system

操作界面Interface



V1键
V2键
V3键

功能设定和按键操作 Function setting and the key operation

双键长按

设定位移设定值

- 1+2长按 设定第一个位移设定值
- 2+3长按 设定第二个位移设定值
- 1+3长按 设定第三个位移设定值

三个键长按

- 1+2+3长按 自动设定所有位移设定值

Press and hold double keys

Set displacement setting value

- Press and hold V1&V2 to set first displacement setting value
- Press and hold V2&V3 to set second displacement setting value
- Press and hold V1&V3 to set third displacement setting value

Press and hold 3keys

- Press and hold V1&V2&V3 to set all displacement setting value automatically

位移版本功能 Displacement version features

通电后，应先启动自整定阀位点反馈(根据按键操作说明)。
手动操作，长按单键(如V1-V2-V3)开启某个阀位，松开自动复位。
自动操作，采集外部设备工作指令。

After power supplied, start valve position self-adjusting function
(Per key operation instruction)

Manual operation: Press and hold one key (V1,V2 or V3) to open valve,
release reset.

Automatic operation: Collet instruction from external equipment.

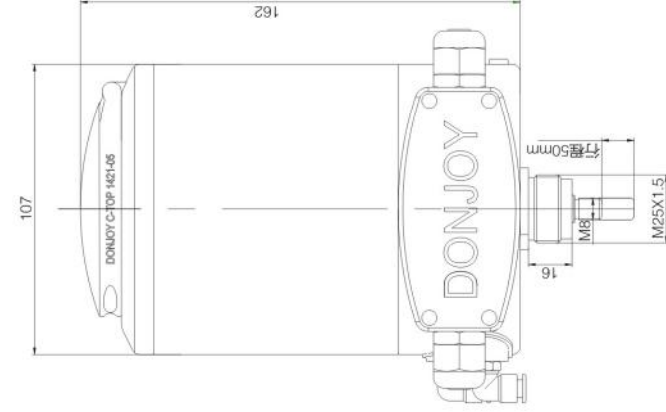
机械调节版本功能 Mechanical adjustment version features

通电前先对感应块和传感器必须先对应位置。

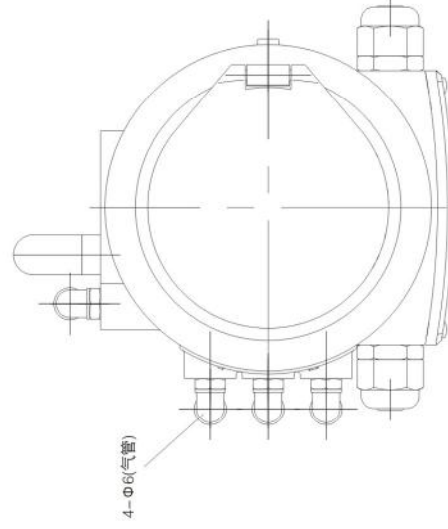
手动操作，长按单键(如V1-V2-V3)开启某个阀位，松开自动复位。
自动操作，采集外部设备工作指令。

Before power supplied, induction block and sensor should find position
Manual operation: Press and hold one key (V1,V2 or V3) to open valve,
release reset.

Automatic operation: Collet instruction from external equipment.



C-TOP安装尺寸图



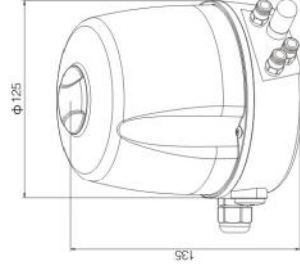
新一代阀门控制单元-C-TOP-II New design control unit C-TOP-II



注意：多针孔选项订购时请说明！
Note: Multi-pinhole option please specify when ordering!

阀门控制单元 2014款C-TOP Valve control unit 2014 C-TOP

位移调节版本 Displacement regulating version 货号 Item No.	描述 Description		电源 Power Supply	连接功能 Connection function	备注 Remarks
	传感器 Sensor	电磁阀 Solenoid valve			
1421-05-S1-V1		1	DC24V	电缆连接 Cable connection	单作用 Single action
1421-05-S1-V2		2			双作用 Double-acting
1421-05-S1-V3		3			三作用防混流 Three effects (mixproof valve)
1421-05-S1-V1-AS	1	1		AS-总线通讯 AS-I bus	单作用 Single action
1421-05-S1-V2-AS		2			双作用 Double-acting
1421-05-S1-V3-AS		3			三作用防混流 Three effects (mixproof valve)
机械调节版本 Mechanical adjustment version 货号 Item No.	描述 Description		电源 Power Supply	连接功能 Connection function	备注 Remarks
传感器 Sensor	电磁阀 Solenoid valve				
1421-05-S1-V1-M	1	1	DC24V	电缆连接 Cable connection	单作用 Single action
1421-05-S2-V1-M	2	1			单作用 Single action
1421-05-S2-V2-M	2	2			双作用 Double-acting
1421-05-S3-V3-M	3	3		三作用防混流 Three effects (mixproof valve)	
1421-05-S1-V1-AS-M	1	1		AS-总线通讯 AS-I bus	单作用 Single action
1421-05-S2-V1-AS-M	2	1			单作用 Single action
1421-05-S2-V2-AS-M	2	2	双作用 Double-acting		
1421-05-S3-V3-AS-M	3	3	三作用防混流 Three effects (mixproof valve)		



2008款C-TOP
2008Type-C-TOP

尺寸图
Dimensions Figure

2008TYPE-C-TOP 货号Item No.	描述Description		电源 Power Supply	连接功能 Connection function	备注Remarks
	传感器Sensor	电磁阀Solenoid valve			
0821-S1-V1-M	1	1	DC24V	电缆连接 Cable connection	单作用Single action
0821-S2-V1-M	2	1			单作用Single action
0821-S2-V2-M	2	2			双作用Double-acting
0821-S3-V3-M	3	3	DC24V	AS-总线通讯 AS-I bus	三作用(防混阀)Three effects (mixproof valve)
0821-S1-V1-AS-M	1	1			单作用Single action
0821-S2-V1-AS-M	2	1			单作用Single action
0821-S2-V2-AS-M	2	2	DC24V	AS-总线通讯 AS-I bus	双作用Double-acting
0821-S3-V3-AS-M	3	3			三作用(防混阀)Three effects (mixproof valve)



迷你型C-TOP Mini-type C-TOP



应用

C-TOP 是个气动控制头，为确保优化控制过程阀门而设计的。它与大多数带数字通讯的PLC (可编程逻辑控制器) 自动化系统兼容。在食品、饮料和生物制药的工业中，C-TOP 可能装配到任何通电的阀门过程中。

Applications

C-TOP is a pneumatic control head which is designed to ensure optimum control valve. It is compatible with most PLC with figure and (AS-I bus)communications. In food, beverage, pharmacy industries, C-TOP can be installed on any electrified valve.

工作原理

C-TOP 是个控制头，它集结了信号发送和指挥设备来监控所有类型的(活塞)过程阀门，该原件(在一个单独的部件中)包括以下操作特点：

- ◆ 气动阀门的控制
- ◆ 带信号反馈的位置指示器
- ◆ 该控制头适合安装到气动装置的阀门上，它从控制板或PLC上接收信号，以此来操纵和发送信号到或阀门位置上。另外，C-TOP 配有2个信号LED指示灯，可以随时显示阀门的状态。
- ◆ 绿色：阀门处于开启状态
- ◆ 红色：阀门处于关闭状态

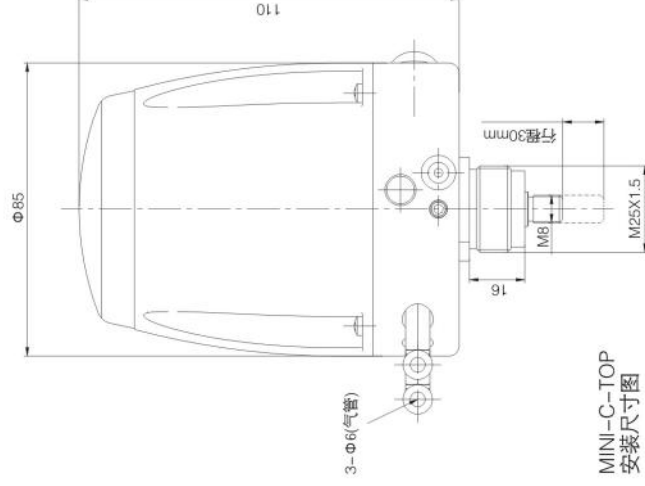
Operating Principles

C-TOP is a head incorporates signal sending and command devices to monitor all the process valves, such part has the following features:

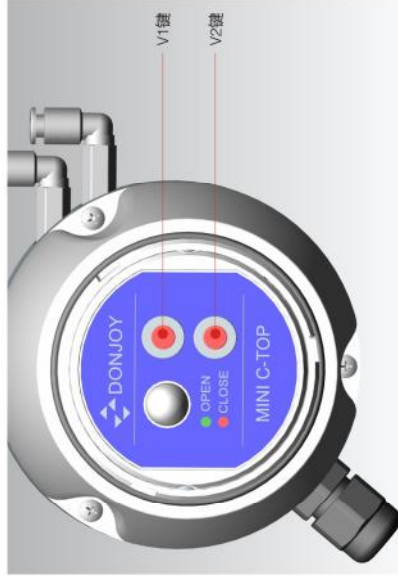
- ◆ Controlled by pneumatic actuators
- ◆ Position indicator with signal feedback.
- ◆ The control head can be fixed with pneumatic valves, it picks signal from control board or PLC so as to operate and send signal to the valves. In addition, there is are two Light Emitting Diode (LED) in the C-TOP box, Which indicate the status of all the valves.
- ◆ Green: open
- ◆ Red: close

选项与技术规范Operating

- ◆ 单作用
- ◆ 双作用
- ◆ 工作温度: 70°C (150° F)
- ◆ 流体: 润滑的压缩空气, 惰性气体
- ◆ 工作压力: 5-7bar
- ◆ 保护等级: IP66
- ◆ Air/Spring
- ◆ Air/Air
- ◆ Working temperature: 70°C (150° F)
- ◆ Fluid: lubricated of compressed air, inert gases
- ◆ Working pressure: 5-7 bar
- ◆ Protection class: IP66



MINI-C-TOP
安装尺寸图



位移版本功能 Displacement version features

通电后, 应先启动自整定阀位点反馈(根据按键操作说明)。
手动操作, 长按单键(如V1-V2)开启某个阀位, 松开自动复位。
自动操作, 采集外部设备工作指令。

After the power is switched on, it should start from setting valve site (according to the feedback button operating instructions)
Manual operation: press the one touch (such as V1-V2) to open a valve, release the automatic reset.
Automatic operation: work instruction acquisition of external equipment.

功能设定和按键操作 Function setting and the key operation

长按双键V1和V2自动设置2个阀位点

绿灯亮 = 开启
红灯亮 = 关闭

Long press two keys (V1 and V2) to automatically set the 2 valve site feedback

The green light = Open
The red light = off

机械调节版本功能 Mechanical adjustment version features

通电前应先对应感应块和传感器必须先对应位置。

手动操作, 长按单键(如V1-V2)开启某个阀位, 松开自动复位。
自动操作, 采集外部设备工作指令。

Electricity before the corresponding induction block and a sensor must correspond to the exact position.
Manual operation: press the one touch (such as V1-V2) to open a valve, release the automatic reset.
Automatic operation: work instruction acquisition of external equipment



迷你型C-TOP Mini-type C-TOP



配置到各种阀门
Configuration to kinds of valves





多针孔插头连接器 M12
Multi pinhole Plug Connector M12

C-TOP 1311款

订购信息 Order information

订购注意 Order note

迷你型控制单元有两种版本
位移调节版本
机械调节版本

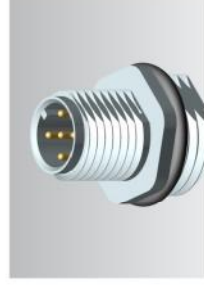
Miniature control unit has two versions
Displacement adjusting version
Machine adjusting version



直通式插头 Straight Plug



弯头式插头 Elbow Plug



注意：多针选项订购时请说明！
Note: Multi-pinhole option please be specified when ordering!

位移调节版本 Displacement regulating version 货号 Item No.	描述 Description		电源 Power Supply	连接功能 Connection function	备注 Remarks
	传感器 Sensor	电磁阀 Solenoid valve			
MIN-S1-V1		1	DC24V	电缆连接 Cable connection AS-I总线通讯 AS-I bus	单作用 Single action 双作用 Double-acting 单作用 Single action 双作用 Double-acting
MIN-S1-V2		2			
MIN-S1-V1-AS	1	1			
MIN-S1-V2-AS		2			

机械调节版本 Mechanic adjustment version 货号 Item No.	描述 Description		电源 Power Supply	连接功能 Connection function	备注 Remarks
	传感器 Sensor	电磁阀 Solenoid valve			
MIN-S1-V1-M	1	1	DC24V	电缆连接 Cable connection AS-I总线通讯 AS-I bus	单作用 Single action 单作用 Single action 双作用 Double-acting 单作用 Single action 单作用 Single action 双作用 Double-acting
MIN-S2-V1-M	2	1			
MIN-S2-V2-M	2	2			
MIN-S1-V1-AS-M	1	1			
MIN-S2-V1-AS-M	2	1			
MIN-S2-V2-AS-M	2	2			



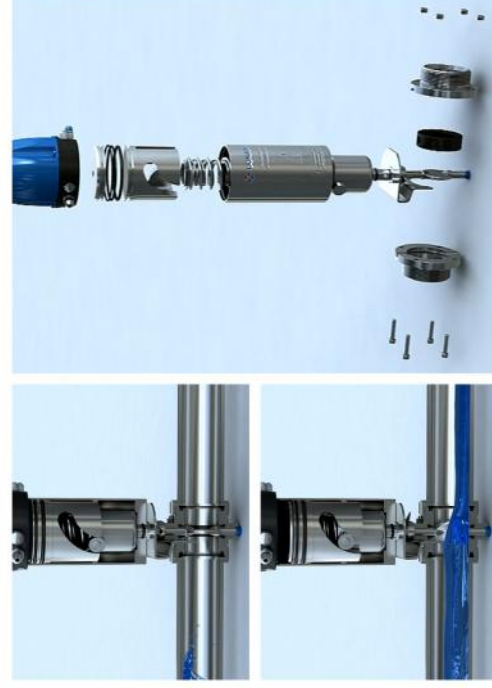
不锈钢气动执行器 Stainless steel pneumatic actuator



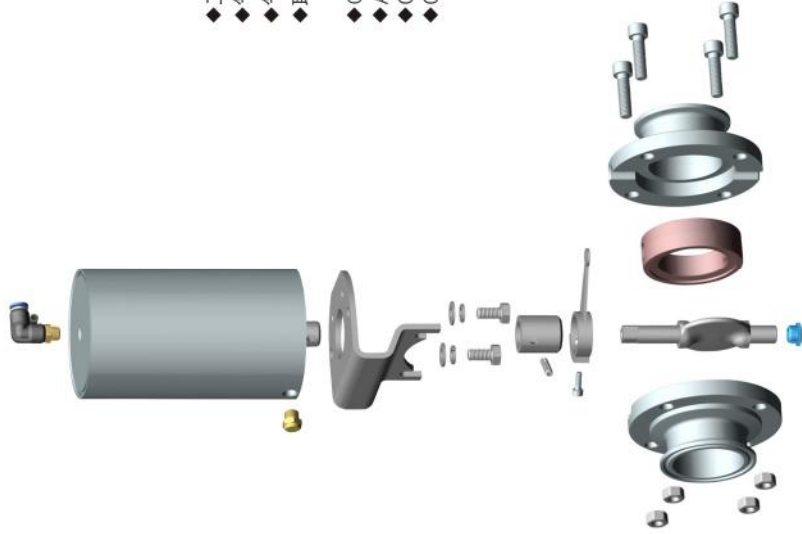
应用Application

不锈钢气动执行器，是一款立式角行程设计的执行器，它可以安装到各种角行程的阀门。全不锈钢外壳，外观没有死角，抗腐蚀、外观精巧等技术特点。还可以配置各种控制单元，如定位器、位置传感器，C-TOP等各种控制系统。

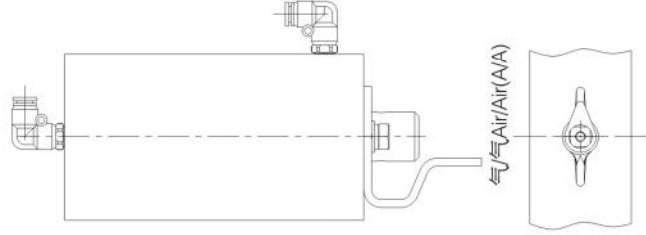
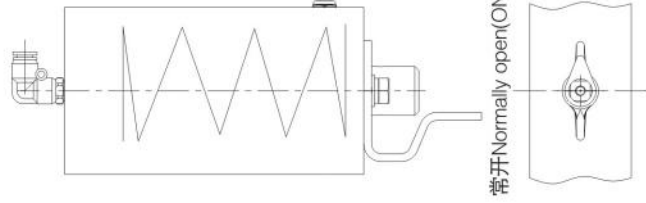
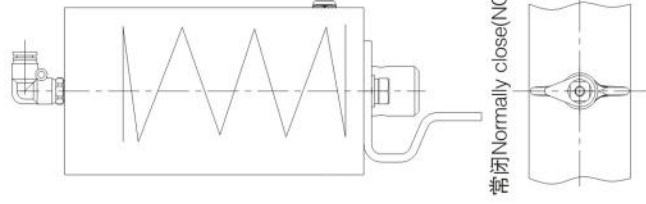
Stainless steel pneumatic actuator, which is a vertical angle design, it can be mounted to a variety of angular travel valve. All stainless steel shell, the appearance of dead is better, corrosion resistant, exquisite appearance, actuator and valve connection very simple technical characteristics. And the configuration of various controllers are flexible, such as valve locator (IL-TOP), a valve control unit (C-TOP), a position sensor and other control system.



技术规格 Technical Specifications



- ◆ 工作温度: -10°C – 80°C
- ◆ 气源压力: 5–7bar
- ◆ 气缸规格: $\Phi 85$ – $\Phi 168$
- ◆ 联轴器: $\square \diamond 8^{\circ}8/9/10^{\circ}10/11^{\circ}11/12^{\circ}12/14^{\circ}14$ mm
- ◆ Operating temperature: -10°C – 80°C
- ◆ Air pressure: 5–7bar
- ◆ Cylinder specification: $\Phi 85$ – $\Phi 168$
- ◆ Connection shaft: $\square \diamond 8^{\circ}8/9/10^{\circ}10/11^{\circ}11/12^{\circ}12/14^{\circ}14$ mm



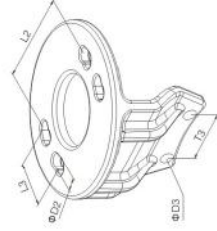
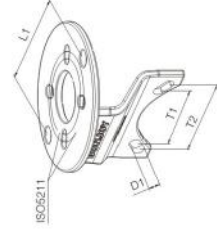
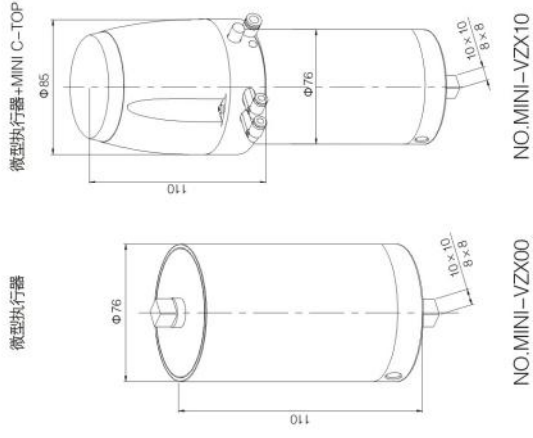
迷你型气动执行器 MINI-type pneumatic valves



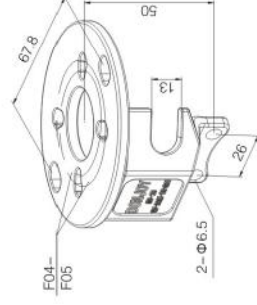
单作用：
耗气量96mL
扭矩：15N.M

双作用：
耗气量268mL
扭矩：26N.M

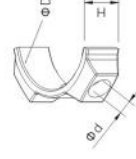
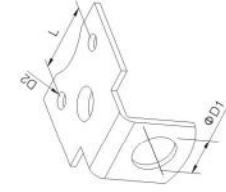
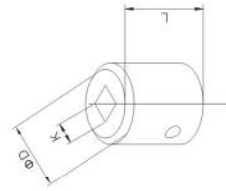
适用于
蝶阀：1/2"-2"
球阀：1/2"-1"



执行器 actuator	L1	T1	T2	D1	ISO5211	配蝶式球阀 Match butterfly valve	配蝶式球阀 Match butterfly valve
85	67.8	46.7	57.3	6.5	F04-F05	DN10-φ40	DN10-DN32
	67.8	62.2	65.0	8.5	F04-F05	2"-φ57	DN40
	67.8	71.4	84.8	8.5	F04-F05	DN60-3"	DN50
	67.8	88.4	102.5	8.5	F04-F05	DN80-DN100	-
执行器 actuator	L2	L3	T3	D2	D3	配蝶式球阀 Match butterfly valve	配蝶式球阀 Match butterfly valve
114-168	70	25.4	40	9	8.5	DN125-DN300	2.5"-DN100



三片蝶阀连接支架
Three butterfly valve connection bracket
该支架特点：具有传感器位置安装，
适用所有规格三片蝶阀(专用)



连接轴Connecting shaft

Size	K	L	D
85	8 x 8		
85	10 x 10	28	25
85	11 x 11		
114	11 x 11		
114	14 x 14	50	35
133	11 x 11		
133	14 x 14		
168	14 x 14		

传感器支架Sensor Bracket

Size	D1	D2	L
85	14.3	5.5	25.4
114	14.3	9	25.4
133	14.3	9	25.4

塑料指针Plastic Balance 传感器摆针Sensor Balance

Size	d	D	H
85	5.4	25	12
114			
133	5	35	12
168			



薄膜式气动执行器



WWW.CNDONJOY.COM

隔膜式气动执行器 Diaphragm pneumatic actuators

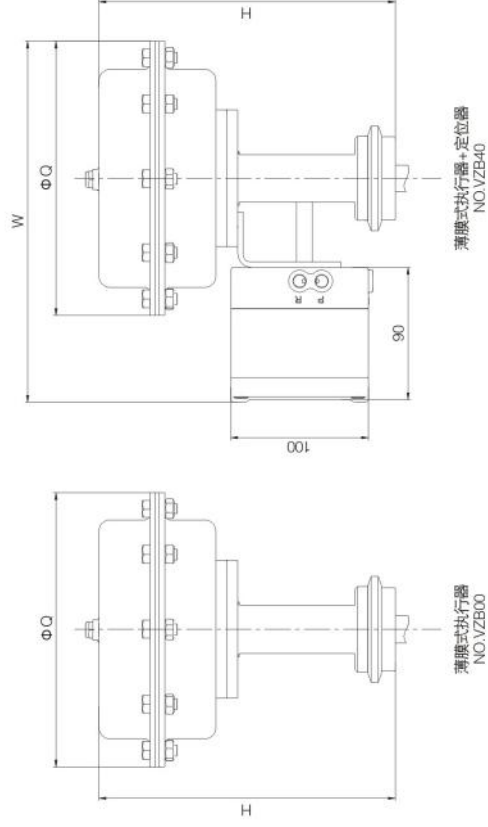
技术优势:

同其他的执行器相比具有高度较低, 安装简单, 可承受更高压力, 非常适用于截止调节阀, 抗水锤效果理想, 便于安装阀门定位器。

Technical advantages:

Compared with other actuator, has a lower height, simple installation, can withstand higher pressures, ideal for cut-off valve, the ideal anti-water hammer effect, easy to install valve positioner.

SIZE	Q	H	W
200	200	220	263
286	286	256	263



薄膜式执行器·定位器
NO.VZB40

薄膜式执行器
NO.VZB00

卧式气动执行器 Horizontal pneumatic actuator



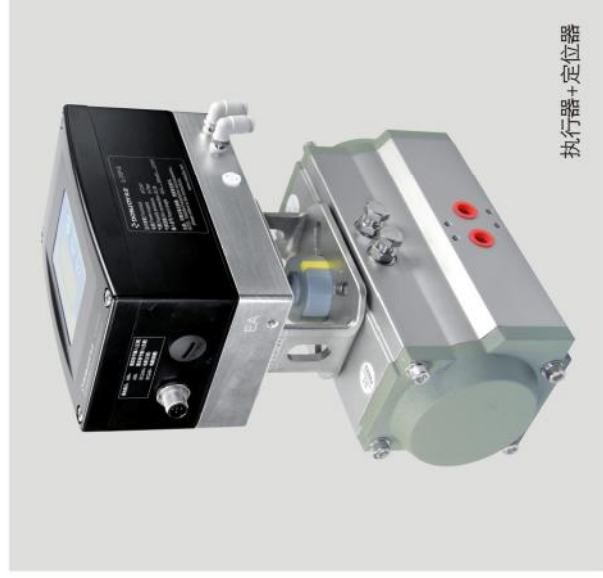
常规数据 Normal data

- ◆ 最大额定气源压力为8bar，最小气源为2.5bar。
- ◆ 使用温度：标准：-20°C(-4° F)至80°C(+176° F)
- ◆ 高温：-15°C(+5° F)至+150°C(+302° F)
- ◆ 低温：-40°C(-40° F)至+150°C(176° F)
- ◆ 使用气源：经过干燥过滤或加油润滑的洁净空气，非腐蚀性气体。

应用 Application

卧式气动执行器具有扭矩大，寿命长等特点，可安装各种角行程阀门。

该执行器可以安装定位器，位置传感器，控制单元等附件。



执行器+定位器

- ◆ Max air pressure: 8bar, Min air pressure: 2.5bar.
- ◆ Working temperature: normal temperature: -20°C(-4° F) to +80°C(+176° F)
- ◆ High temperature: -15°C(+5° F) to +150°C(+302° F)
- ◆ Low temperature: -40°C(-40° F) to +150°C(+176° F)
- ◆ Air supply: clean air after dry or filtration, No-corrosive gas.



非常灵活的组合各种阀门
Very flexible combination of various valve



主要外形连接尺寸 Mainly Dimension

尺寸(毫米)size:mm

型号 Model	ZT050 D/S	ZT063 D/S	ZT075 D/S	ZT088 D/S	ZT0100 D/S	ZT0115 D/S	ZT0125 D/S	ZT0145 D/S	ZT0160 D/S	ZT0180 D/S	ZT0200 D/S	ZT0240 D/S	ZT0265 D/S	ZT0330 D/S
L	140.5	158.5	210.5	247.5	288.5	315	345	408.5	437.5	487	543	621	684	-
J	69	85	102	115	127	145	157	177	196	220.5	245	298.5	330	-
K	59	72	84.5	97.5	111	127	136	156.5	169	190.7	213	251	298.5	-
V	M5×8	M5×8	M5×8	M5×8	M5×8	M5×8	M5×8	M5×8	M5×8	M5×8	M5×8	M5×10	M6×10	-
R	4	8	8	8	8	8	8	8	8	8	8	8	8	-
M	80	80	80	80	80	80	80	80	80	130	130	130	130	-
N	30	30	30	30	30	30	30	30	30	30	30	30	30	-
G	30	35	35	55	55	70	70	85	85	100	100	130	130	-
H	12	16	16	19	19	24	24	24	29	38	38	48	48	-
E	29	36	42.5	49.5	56	64	69.5	80	88	99	110	131	163.5	-
F	41.5	47	52	56.8	67	77	82	91.5	99	105	112	131	166	-
S	11	11	19	19	19	27	27	27	27	42	42	42	42	-
A	26.5	30	30.5	32.5	37.5	42.5	45	47	52	58	62	78.5	165	-
C	20	20	20	20	20	30	30	30	30	50	50	50	50	-
O	42	50	50	40	70	102	102	125	125	140	140	165	165	-
O1	-	-	-	-	-	-	-	-	-	-	-	-	-	-
T	32	32	32	35	32	32	32	32	32	32	32	45	45	-
U	24	24	24	24	24	24	24	24	24	24	24	40	40	-
Q	M5	M6	M6	M8	M8	M10	M10	M12	M12	M16	M16	M20	M20	-
Q1	-	-	-	-	-	-	-	-	-	-	-	-	-	-
T-ISO228	1/8"	1/8"	1/8"	1/8"	1/4"	1/4"	1/4"	1/4"	1/4"	1/4"	1/4"	3/8"	1/2"	-
ISO5211	F04	F05	F05	F07	F07	F10	F10	F12	F12	F14	F14	F16	F16	-
O	11	14	14	17	17	22	22	27	27	36	36	46	46	-
H1	0.5	05	1.5	1.5	1.5	1.5	1.5	1.5	1.5	2	2	2.5	2.5	-
I	34.5	42.5	51	57.5	63.5	72.5	78.5	88.5	98	111.5	122	150.5	165	-
D	40	40	40	40	40	56/65	56/65	65	65	80/115	80/115	115	115	-
ISO F5211	F03	F04	F05-F05	F05-F07	F07-F10	F07-F	F07-F10	F10-F12	F10-F12	F12	F12	F14	F14	-
O	36	42	50	50	50	70	70	102	102	125	125	140	140	-
O1	-	-	70	70	70	102	102	125	125	-	-	-	-	-
Q	M5	M5	M6	M6	M6	M8	M8	M10	M10	M12	M12	M16	M16	-
Q1	-	-	M8	M8	M8	M10	M10	M12	M12	-	-	-	-	-
G	25	30	35	40	40	55	55	70	70	85	85	100	112	-
P	9	11	17	17	17	22	22	27	27	27	27	36	36	-
H	10	12	19	19	19	24	24	29	29	29	29	38	38	-

尺寸
Size
(mm)

备注
Note

双作用力矩输出(Nm) Double-acting output torque(Nm)

气源压力型号 Gas source Pressure model	双作用力矩输出(Nm)Double-acting output torque(Nm)												
	2.5bar	3bar	3.5bar	4bar	4.2bar	4.5bar	5bar	5.5bar	6bar	7bar	8bar		
DJ050D	8.3	10.0	11.6	13.3	14.0	15.0	16.6	18.3	19.9	23.3	26.6		
DJ063D	14.7	17.6	20.5	23.5	24.6	26.4	29.3	32.2	35.2	41.0	46.9		
DJ075D	29.1	34.9	40.7	46.5	48.9	52.4	58.2	64.0	69.8	81.4	93.1		
DJ088D	45.8	45.9	64.1	73.2	76.9	82.4	91.5	101	110	128	146		
DJ100D	66.5	79.8	93.1	106	112	120	133	146	160	186	213		
DJ115D	107	129	150	172	181	193	215	236	258	301	344		
DJ125D	138	166	194	222	233	249	277	305	332	388	443		
DJ145D	217	261	304	348	365	391	435	478	522	609	696		
DJ160D	284	340	397	454	477	511	567	624	681	794	908		
DJ180D	383	459	536	613	643	689	766	842	919	1072	125		
DJ200D	532	638	745	851	893	1064	1276	1489	1702	2000	2313		
DJ240D	596	1072	1251	1430	1501	1608	1787	1966	2144	2502	2859		
DJ265D	1297	1556	1815	2075	2179	2334	2594	2853	3112	3631	4150		
DJ330D	2252	2703	3153	3604	3784	4054	4504	4955	5405	6306			

尺寸(毫米)size:mm



电动执行器 Electric actuator

产品类型

- ◆标准开型号(B型)
通过开关电路实现阀门的开启、关闭操作，同时输出一组有源触点信号，指示阀位处于全开或全闭状态。
- ◆无源角点型(S型)
通过开关电路实现阀门的开启、关闭操作，同时输出一组无源角点信号，指示阀位处于全开或全闭状态。
- ◆带位置信号型(K型)
通过开关电路实现阀门开启和关闭操作，同时输出与阀门开闭角度相对的电流信号。
- ◆开度信号型(R型)
通过开关电路控制阀门开启角度，同时电位器输出与阀门开度位置相对应的电阻信号。
- ◆智能调节型(A型)
通过接收计算机或工业仪表输出的标准信号4~20mA、DC、0~10V、DC或1~5V、DC，实现智能调节和控制，并输出4~20mA、DC的标准反馈信号。

Product type

- ◆ Standard switch type(B)
Valves ON/OFF is conducted by switch circuit with outputting active contact signal which can show a fully open or fully close state of the valves.
- ◆ Passive contact type(S)
Valves ON/OFF is conducted by switch circuit with outputting passive contact signal which can show a fully open or fully close state of the valves.
- ◆ Position signal type(K)
The opening Or closing operation is realized by switching "open" or "close" the circuit, outputting a relative group of open or close degree current signals.
- ◆ Opening degree singnal type(R)
The opening angle of valves is controlled by switch circuit, with potentiometer outputting resistance signal corresponding valves opening angle.
- ◆ Modulating type(A)
Intelligent regulation and control are conducted by receiving the standard signal 4~20mA、DC、0~10V、DC or 1~5V、DC outputted by the computers of instruments standard feedback signal 4~20mA、DC is also outputted.

选型配制表 Type selection table

因阀门种类繁多，同种规格型号的阀门，不同的生产厂家，不同的使用环境，阀门实际工作扭矩各不相同。因此，建议在选择电动执行器型号时，应当以执行器额定输出的力矩的60%~80%为阀门的工作扭矩。

The torque is different in actual working, due to valve series is variety, and same model valve from different manufacturer and the using circumstances is different. So you should choose the 60%~80% actuator torque as valve torque.



可配置阀门的规格 Selection table

产品型号 Model	输出力矩 Output torque	动作时间(0~90°) Action time	电源 Power	软密封球阀 Soft seal butterfly valve	硬密封球阀 Hard seal butterfly valve	球阀 Ball valve	通风蝶阀 Aeration butterfly valve	
DJ-ZX	6N · M 15N · M 30N · M	7S 10S 20S	AC220V、50/60Hz、 DC24V、DC12V	DN65	≤ PN1.6MPa	≤ DN20	≤ PN0.1MPa	
DJ-5	50N · M	30S		DN25		≤ DN32	DN50-DN80	
	50N · M	13S		DN80-DN125	DN40-DN65	DN40-DN50	DN100-DN200	
	50N · M	15S		DN150-DN200	DN80-DN125	DN65-DN80	DN250-DN300	
DJ-10	60N · M	20S		AC24V、110V、 220-240V、 380-420V、 50/60Hz、 DC24V	DN250	DN150-DN200	DN100-DN125	DN350-DN500
	100N · M	30S						
	80N · M	9S						
	100N · M	15S						
DJ-20	150N · M	20S						
	200N · M	30S						
	200N · M	60S						
DJ-50	150N · M	9S						
	250N · M	15S						
	300N · M	20S						
DJ-100	500N · M	30S						
	800N · M	60S						
	1000N · M	30S						
DJ-200	2000N · M	50S						
		100S						



调节阀 Regulating valve

NEW



应用

调节阀是气动比例阀，流量控制设计装置的乳品和食品加工行业，饮料生产，制药和精细化工产业。最重要的应用是压力控制，流量控制，液位等。

Applications

Regulating valve is a pneumatic proportional valve, is a equipment to control the flow, widely used to the dairy, food, beverage, pharmacy and chemical industry. Most important application is the pressure control, flow control, level, etc.

工作原理 Working principle

气动调节阀是锥形阀芯位置，通过定位器控制实现流量调节的阀门(PID)也可采用智能过程控制器实现自我调整位置和流量(PID)功能。

The position of valve tapered plug is adjusted by position. So as to control flow rate through the valve(PD). Also intelligent process controller can control position and flow rate(PID).



调节阀 Regulating valve

设计和功能Design and function

- ◆ 根据3A卫生设计
- ◆ 常闭阀(标准版)
- ◆ 等百分比调节阀
- ◆ 360度可调的阀体
- ◆ 紧凑的设计
- ◆ According to the 3A sanitary design
- ◆ Normally closed (standard)
- ◆ With equal percentage adjusting shaft
- ◆ 360 degree adjustable body
- ◆ The compact design

双功能定位Double function orientation

- ◆ PD: 位置控制器
- ◆ PID: 过程控制器
- ◆ 装配/拆卸松开卡箍即可
- ◆ 标准连接方式: 焊接/卡箍/螺纹
- ◆ PD: position controller
- ◆ PID: process controller
- ◆ Assembly/disassembly just to loose the clamp
- ◆ Standard connection: Weld, Clamp, Thread

技术特点

- ◆ 介质接触部位316L/1.4404
- ◆ 其他部件301/1.4301
- ◆ 密封圈EPDM/FDA177.2600
- ◆ 内部表面: Ra0.6 μm
- ◆ 夹套保温阀体(选项)
- ◆ 轴杀菌/清洗(选项)
- ◆ 更高压力执行器(选项)
- ◆ 密封圈NBR/FFM(选项)
- ◆ 接口标准: DIN/SMS/RJT/IDF/ISO等

Technical and features

- ◆ Parts in contact with the product: AISI316L/1.4404
- ◆ Other parts in stainless steel AISI304/1.4301
- ◆ Gaskets: EPDM according to FDA177.2600
- ◆ Internal surface finish: Ra ≤ 0.6 μm
- ◆ The body with heat jacket(option)
- ◆ Shaft: sterilization/cleaning(option)
- ◆ Actuator with higher pressure(option)
- ◆ Gasket: NBR/FFM(option)
- ◆ Connection: DIN/SMS/RJT/IDF/ISO.....

技术规格 Technical specifications

- ◆ 尺寸DN25-DN100 1"-4"
- ◆ 工作温度-10°C至+120°C(EPDM), 14° F到248°C+140° F(SIP最大30分钟)284° F最大。
- ◆ 工作压力10bar 145PSI
- ◆ 压缩空气6-8bar/87-116PSI
- ◆ 气动执行器连接G1/8"(BSP)
- ◆ 电压24V DC
- ◆ 过程信号4...20 mA 0...10V (optional)
- ◆ Size DN25-DN100 1"-4"
- ◆ Working temperature-10°C to +120°C(EPDM) 14° F to 248° F+140°C(SIP, max, 30min)284° F
- ◆ Working pressure: 10bar 145 PSI
- ◆ Compressed air pressure 6-8 bar, 87-116PSI
- ◆ Air connection G1/8"(BSP)
- ◆ 24 V DC voltage
- ◆ process signal 4...20 mA 0...10V (optional)





夹套保温式调节阀 Heat insulation type regulating valve

设计了保温夹套，通过蒸汽循环达到保温的目的。
Heat jacket design through steam cycle to achieve the purpose of heat keeping.



隔膜式无菌调节阀 Diaphragm-Aseptic regulating valve

- ◆ 该阀门具有标准调节阀的技术特点
- ◆ 一个PTFE隔膜隔离了阀门内部与外部
- ◆ 一个泄漏仓可提供隔膜损坏的检测
- ◆ This valve has the technique characteristics as same as Divert Seat Valve.
- ◆ A PTFE diaphragm insulates valve from the inside and outside
- ◆ Diaphragm's damage can be viewed through leakage bin.



无滞留调节阀 Non-retention regulating valve

该阀门具体三通和四通连接方式
下阀体用作管路连接，上阀体用作出口(选择1个或2个出口)
由于下阀体用作管路因此不会产生任何死角和滞留。

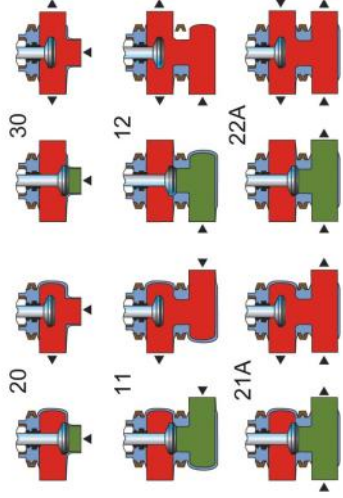


无菌调节阀 Aseptic Regulating valve

- ◆ 该阀门具有标准调节阀的功能
- ◆ 一个可经液体清洗或蒸气消毒的轴的配置保证了阀杆的彻底清洗。
- ◆ It has the standard function of regulating valve.
- ◆ The shaft by liquid cleaned or steam barriered can ensure the valve stem cleaned completely.

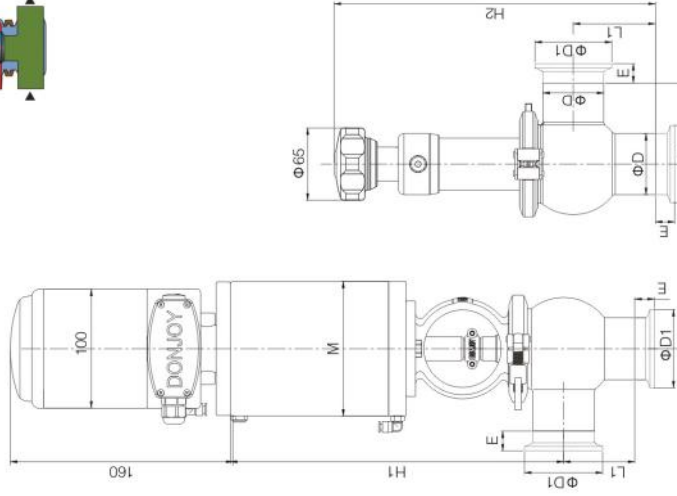


调节阀 Regulating valve



气量消耗(L/循环次)
Air consumption (L/One cycle)

SIZE ΦD1	弹簧/气 Spring/air	气/气 air/air
88	0.12	0.24
113	0.21	0.42
132	0.45	0.90
180	1.00	2.00



NO.VTJ110Q1

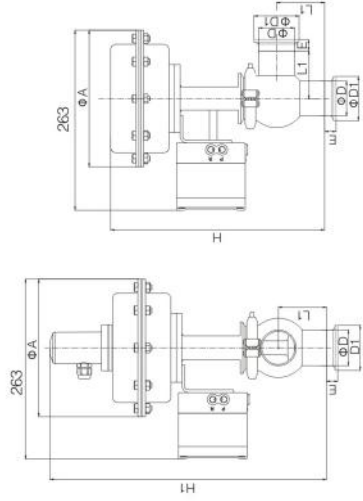
NO.VTJ110S2

DIN气动截止调节阀

SIZE	H1	H2	H3	D	D1	L1	L2	M		E	Weight (kg)
								6bar	10bar		
DN25	298	236	180	28	50.5	50	86	88	113	12.7	5
DN32	359	258	210	34	64	55	86	113	132	12.7	5
DN40	405	300	245	40	70	60	86	113	180	12.7	5
DN50	484	330	280	52	85	69	86	132	180	12.7	7
DN65	484	330	280	70	106	99	86	132	180	12.7	13
DN80	484	330	280	85	106	99	86	132	180	12.7	13
DN100	484	330	280	104	119	114	86	180	180	12.7	15

INCH气动截止调节阀

SIZE	H1	H2	H3	D	D1	L1	L2	M		E	Weight (kg)
								6bar	10bar		
1"	298	236	180	25.4	50.5	50	86	88	113	12.7	5
1.25"	359	258	210	31.8	64	55	86	113	132	12.7	5
1.5"	405	300	245	38.1	70	60	86	113	180	12.7	5
2"	484	330	280	50.8	85	69	86	132	180	12.7	7
2.5"	484	330	280	63.5	106	99	86	132	180	12.7	13
3"	484	330	280	76.2	106	99	86	132	180	12.7	13
4"	484	330	280	101.6	119	114	86	180	180	12.7	15



NO.VHX612Q1

NO.VTJ214Q1

薄膜气动截止调节阀

SIZE	D	D1	L1	A	E	H	H1
1.25"	31.8	64	55	200	12.7	283	375
1.5"	38.1	70	60	200	12.7	283	375
2"	50.8	80	70	200	12.7	283	375
2.5"	63.5	91	80	200	12.7	283	375
3"	76.2	99	99	286	12.7	391	507
4"	101.6	119	114	286	15.8	443	560

阀门流量系数 Flow rate factor (Kv)

可以通过下面的公式和流量系数值来选择适合您应用的调节阀。
适用于比重等于 1.0 的水和其他产品的计算公式：

Refer to the following formula and flow coefficient value to choose the suitable regulating valve for specific gravity is 1.0 water and other products :

$$Kv = \frac{Q}{\sqrt{\Delta P}}$$

适用于比重不等于 1.0 的产品的计算公式：
For specific gravity is not 1.0 products :

$$Kv = \frac{Q}{\sqrt{\Delta P / SG}}$$

如何利用数据选择阀门尺寸

How to use the data sheet to choose the valve size

计算出某特定应用的Kv因数后，选择最接近50%的曲线。

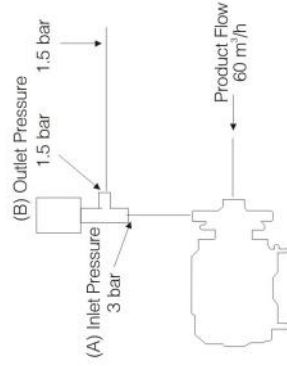
To calculate the specific application of Kv factor, select the most close to 50% of the curve.

如何利用数据选择阀门尺寸

计算出某特定应用的 Kv 因数后，在查找该因数。选择最接近 50% 行程的曲线。

How to use the data sheet to choose the valve size

To calculate the specific application of Kv factor, in the next page to find the factor. Select the most close to 50% stroke curve.



Kv计算举例：

Kv calculation example:

确定适用于60m³/小时水流量的阀门尺寸。
Valve size suit for the water flow 60m³/h

进口压力 3bar Inlet pressure 3 bar
出口压力 1.5bar Outlet pressure 1.5 bar

解答：进口压力(A)减去出口的压力(B)：

Answer: inlet pressure (A), minus the outlet pressure (B) :

$$\Delta P = 3 \text{ bar} - 1.5 \text{ bar} = 1.5 \text{ bar}$$

$$Kv = \frac{60}{\sqrt{1.5}} = 49$$

其中

Among them

Q = 产品流量(单位m³/小时)

SG = 产品比重

DR = 阀门的压降(单位bar)

(进口压力与出口压力的差值)

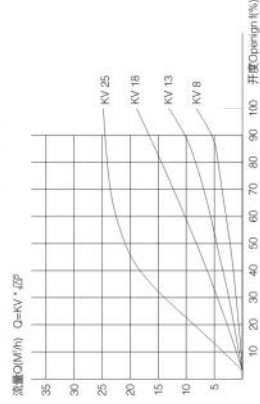
Q = product flow rate(m³ / h)

SG = product proportion

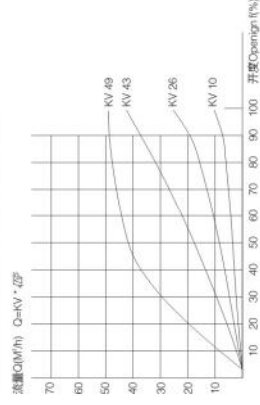
DR = valve pressure drop (bar)

(The different pressure of inlet and outlet)

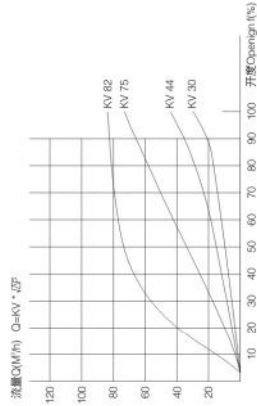
调节阀1"和1.5"流量/选择行程的图表
Regulating valve 1" 1.5" flow/choose (opening f) diagram



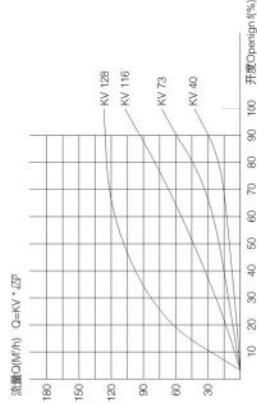
调节阀2"流量/选择行程的图表
Regulating valve 2" flow/choose (opening f) diagram



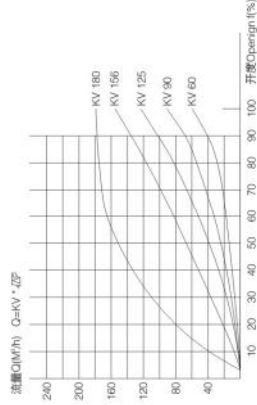
调节阀2.5"流量/选择行程的图表
Regulating valve 2.5" flow/choose (opening f) diagram



调节阀3"流量/选择行程的图表
Regulating valve 3" flow/choose (opening f) diagram



调节阀4"流量/选择行程的图表
Regulating valve 4" flow/choose (opening f) diagram



截止式调节阀 Regulating valve

一款具有高洁净
截止调节阀



应用Applications

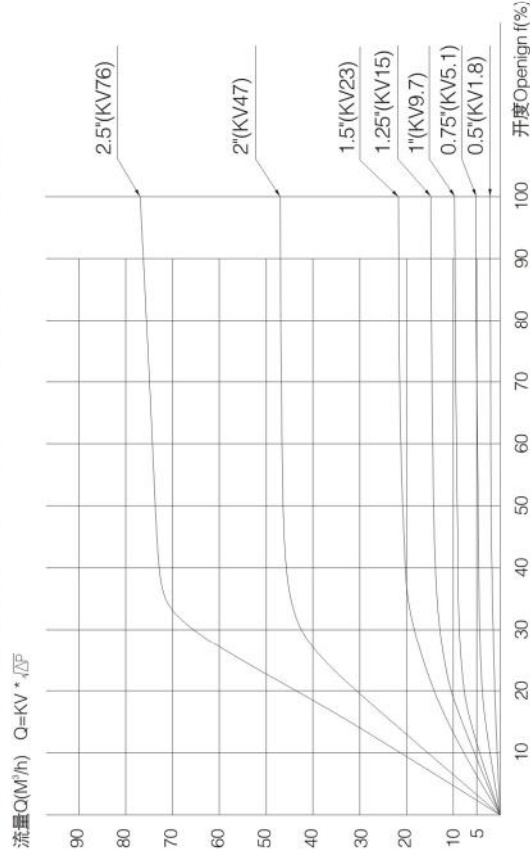
截止式调节阀主要应用在流量调节控制阀。该阀门与介质接触的部位只有不锈钢和PTFE，最高温度达180°C，耐压最高达20bar，也可真空环境下使用。阀体根据无死角设计，表面粗糙度可达Ra0.4 μm，阀芯密封采用嵌入式设计，因此使用非常的广泛几乎可以涵盖所有的行业，如制药、食品与饮料、酿酒、化工等工业领域。

Deadline regulating valve mainly used in fluid control, flow regulation system. The regulating valve parts in contact with the media only stainless steel and PTFE materials, maximum temperature 180 °C, the surface roughness Ra0.4 μm, spool embedded seal design, the use of a very wide range can cover most of the industries, such as food and beverage, brewing, chemical and other industries.

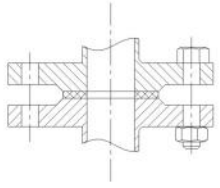
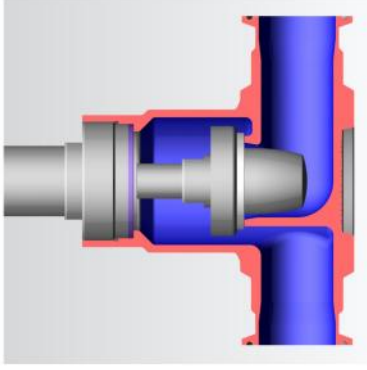
技术规格 Technical specifications

- ◆ SIZE: 1"-4", DN25-DN100
- ◆ 材质: 304/316L
- ◆ 压力: 10bar(基本型), 20bar(选项)
- ◆ 温度: 150°C(基本型), 180°C(选项)
- ◆ 内表面粗糙度: Ra0.4 μm(选项)
- ◆ 连接方式: 焊接、卡箍、螺纹、法兰等标准
- ◆ SIZE: 1"-4", DN25-DN100
- ◆ Material: 304/316L
- ◆ Pressure: 10bar (standard) 20bar (option)
- ◆ Temperature: 150 °C (standard) 180 °C (option)
- ◆ The inner surface roughness: Ra0.4 μm
- ◆ Connection: welding, clamps, threaded, flange and other standards

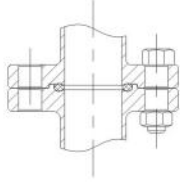
截止调节阀 流量/选择/开度% KV值曲线图
Deadline regulating valve flow / select / open degree% KV value graph



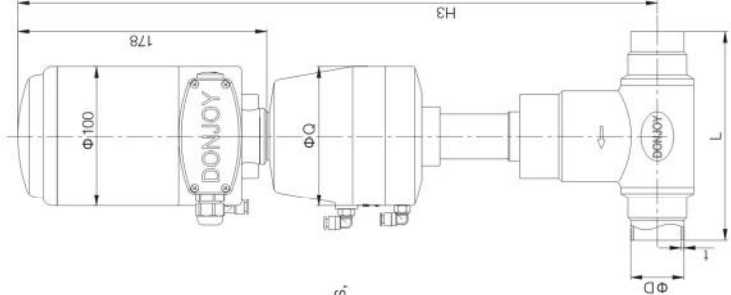
注意: 上面图表适用于, 介质: 水(20°C)
Attention: above diagram suit for the medium water (20°C)



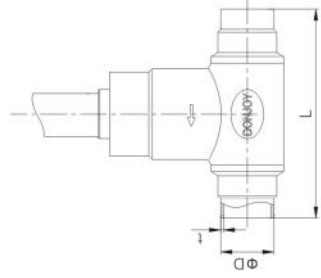
普通法兰-PN10Kg 无菌法兰(可选DIN11864-2-A
Ordinary flange-PN10Kg Aseptic flange DIN11864-2-A



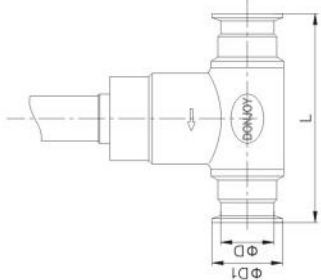
注意：法兰有基本型和无菌法兰两种选型，订购时请说明！
Note: The flange has two basic and aseptic flange selections,
please specify when ordering!



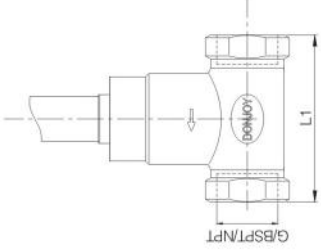
焊接



卡箍



内螺纹



NO.VJZZ23Q2

DIN

SIZE	t/mm	D	D1	Q	L	H3	L1	G	BSPT	NPT
DN25	1.5	28/29	50.5	100	130	439	100	G1"	BSPT1"	NPT1"
DN32	1.5	34/35	50.5	100	140	459	120	G1.25"	BSPT1.25"	NPT1.25"
DN40	1.5	40/41	50.5	100	150	459	130	G1.5"	BSPT1.5"	NPT1.5"
DN50	1.5	52/53	64	135	175	524	160	G2"	BSPT2"	NPT2"
DN65	2.0	70	91	135	210	554	185	G2.5"	BSPT2.5"	NPT2.5"

注：以上参数适用于不锈钢手轮和不锈钢气动执行器。如需法兰连接请参照法兰式截止阀，如您需要更大的规格请联系东正！
Note: The above parameters for stainless steel hand wheel and pneumatic actuators, such as the globe valve flange connection, please consult catalogs, if you need a larger size data, please contact DONJOY!

INCH

SIZE	t/mm	D	D1	Q	L	H3	L1	G	BSPT	NPT
1"	1.5/1.65	25.4	50.5	100	130	439	100	G1"	BSPT1"	NPT1"
1.25"	1.5/1.65	31.8	50.5	100	140	459	120	G1.25"	BSPT1.25"	NPT1.25"
1.5"	1.5/1.65	38.1	50.5	100	150	459	130	G1.5"	BSPT1.5"	NPT1.5"
2"	1.5/1.65	50.8	64	135	175	524	160	G2"	BSPT2"	NPT2"
2.5"	1.65/2.0	63.5	77.5	135	210	550	185	G2.5"	BSPT2.5"	NPT2.5"
3"	1.65/2.0	76.2	91	135	210	554	210	G3"	BSPT3"	NPT3"

注：以上参数适用于不锈钢手轮和不锈钢气动执行器。如需法兰连接请参照法兰式截止阀，如您需要更大的规格请联系东正！
Note: The above parameters for stainless steel hand wheel and pneumatic actuators, such as the globe valve flange connection, please consult catalogs, if you need a larger size data, please contact DONJOY!



角座式调节阀 Angle Seat regulating valve

高洁净
角座式调节阀



应用Applications

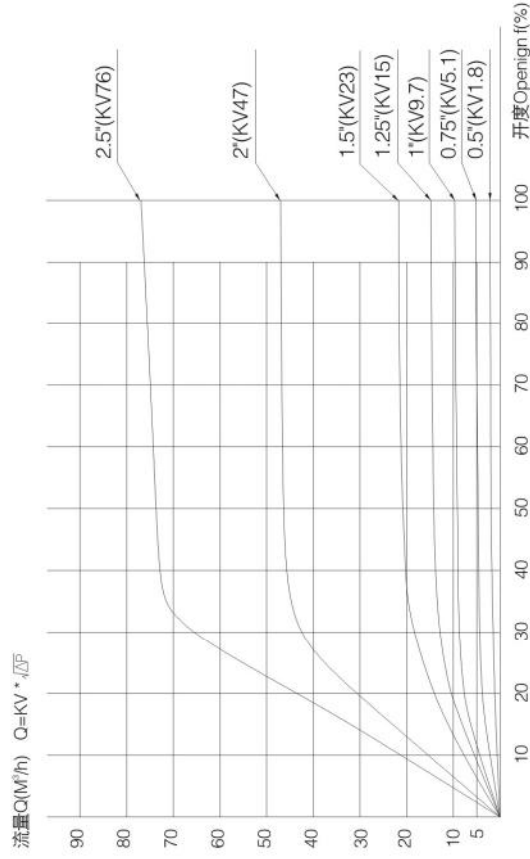
角座式调节阀主要应用在流量调节控制阀。该阀门与介质接触的部位只有不锈钢和PTFE，最高温度达180℃，耐压最高达20bar，也可真空环境下使用。阀体根据无死角设计，表面粗糙度可达Ra0.4 μ m，阀芯密封采用嵌入式设计，因此使用非常的广泛几乎可以涵盖了所有的行业，如制药、食品与饮料、酿酒、化工等工业领域。

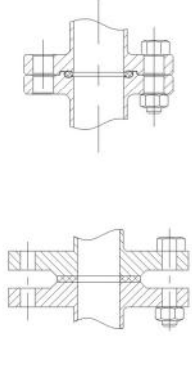
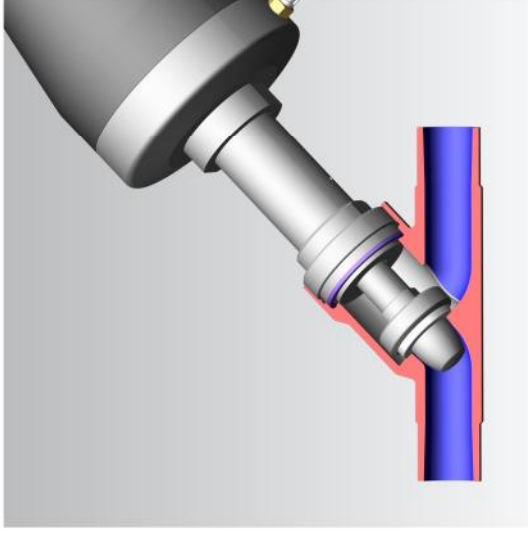
Angle Seat regulating valve is mainly used in fluid control, flow regulation system. The regulating valve parts in contact with the media only stainless steel and PTFE materials, maximum temperature 180 °C, the surface roughness Ra0.4 μ m, spool embedded seal design, the use of a very wide range can cover most of the industries, such as food and beverage, brewing, chemical and other industries.

技术规格 Technical specifications

- ◆ SIZE: 1"-4", DN25-DN100
- ◆ 材质: 304/316L
- ◆ 压力: 10bar(基本型), 20bar(选项)
- ◆ 温度: 150℃(基本型), 180℃(选项)
- ◆ 内表面粗糙度: Ra0.4 μ m(选项)
- ◆ 连接方式: 焊接、卡箍、螺纹、法兰等标准
- ◆ SIZE: 1"-4", DN25-DN100
- ◆ Material: 304 / 316L
- ◆ Pressure: 10bar (standard) 20bar (option)
- ◆ Temperature: 150 °C (standard) 180 °C (option)
- ◆ The inner surface roughness: Ra0.4 μ m
- ◆ Connection: welding, clamps, threaded, flange and other standards

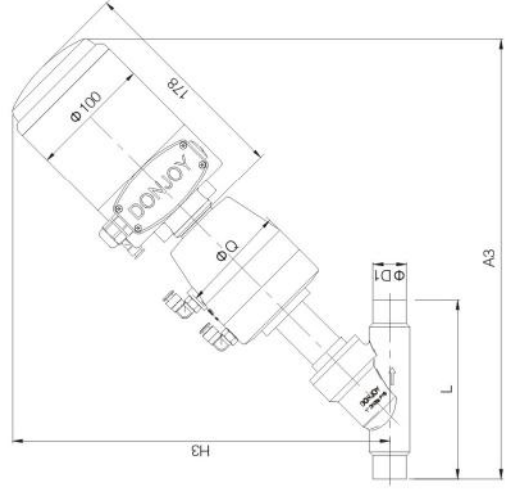
角座式调节阀流量/选择(开度f)图表



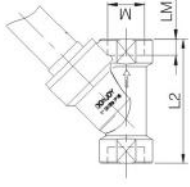


普通法兰-PN10Kg

无菌法兰(可选)
DIN11864-2-A



气动角座阀+带定位器
NO.VJZ103Q2



调节式球阀

Flow regulator type ball valve



应用Applications

调节式球阀，有多种结构，如三通、直通、蝶式等设计，它们都具有无死角设计，都可以应用在高洁净要求环境工作。如制药、食品饮料、酿酒、化工等领域。

该球阀工作温度可达180℃，压力可达10bar，内表面粗糙度大Ra0.4 μm，满足3A标准和ASME BPE高洁净要求。

Flow regulator type ball valve, a variety of structures, such as three, straight, butterfly ball valve design, they have no dead angle, can be applied to work in the high requirements of clean environment. Such as pharmaceutical, food processing, wine, Chemical industry etc..

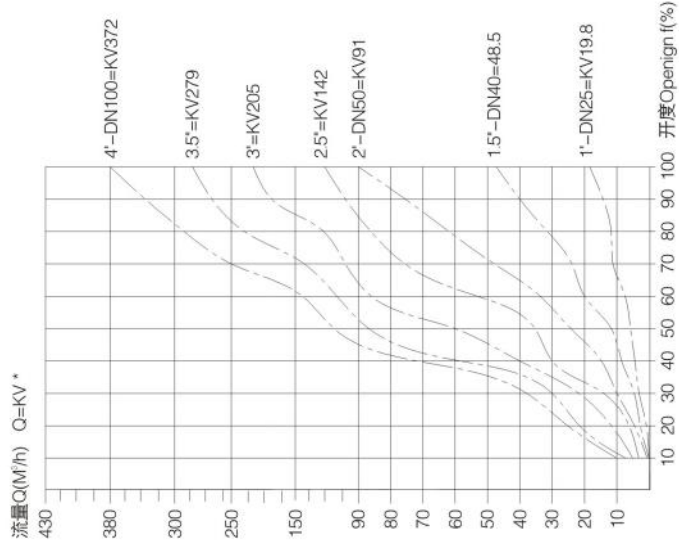
The ball valve working temperature of 180 DEG C, the pressure can be big 10bar
The inner surface of Ra0.4 m, 3A and ASME BPE to meet the design requirements of high clean.

技术规格 Technical specifications

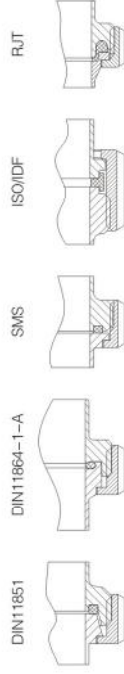
- ◆ SIZE: 1"-4", DN25-DN100
- ◆ 材质: 304/316L
- ◆ 压力: 10bar(基本型), 20bar(选项)
- ◆ 温度: 150℃(基本型), 180℃(选项)
- ◆ 内表面粗糙度: Ra0.4 μm(选项)
- ◆ 连接方式: 焊接、卡箍、螺纹、法兰等标准
- ◆ SIZE: 1"-4", DN25-DN100
- ◆ Material: 304 / 316L
- ◆ Pressure: 10bar (standard) 20bar (option)
- ◆ Temperature: 150 °C (standard) 180 °C (option)
- ◆ The inner surface roughness: Ra0.4 μm
- ◆ Connection: welding, clamps, threaded, flange and other standards



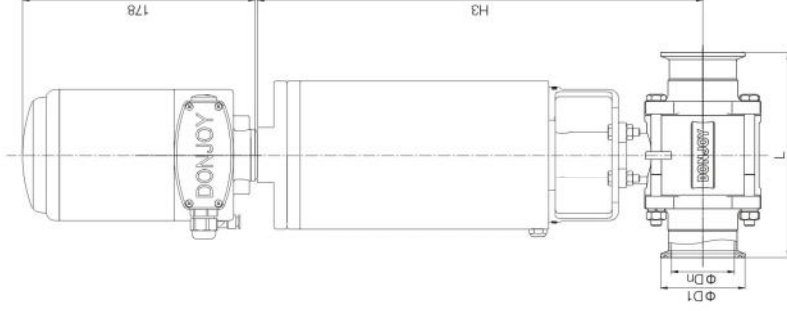
球阀流量/选择(开度f)图表



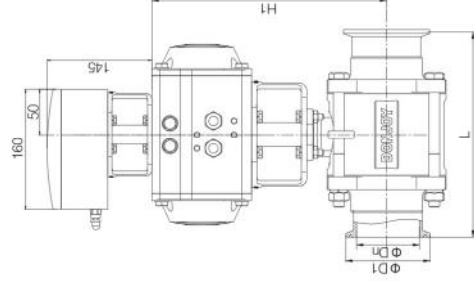
各种螺纹接口标准 Various thread interface



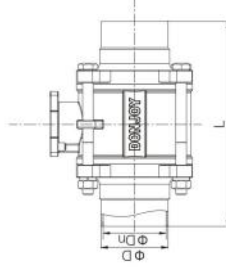
各种法兰连接标准 All kinds of flange interface



不锈钢气动执行器+定位器
NO.VQW113Q1



铝制气动执行器+方形定位器
NO.VQW114Q2



NO.VQW100XX

INCH

SIZE	ISO5211	ΦDn	ΦD	ΦD1	L	H1	H3
0.5"	F04	9.7	12.7	25.4	89	175.5	226
0.75"	F04	16.1	19.1	25.4	89	175.5	226
1"	F04	22.4	25.4	50.5	114	179	230
1.25"	F04	28.8	31.8	50.5	117	198	235
1.5"	F05	35.1	38.1	50.5	142	206	243
2"	F05	47.8	50.8	64	156	237	315
2.5"	F07	59.5	63.5	77.5	197	257	332
3"	F07	72.2	76.2	91	221	274	380
3.5"	F07	85	89	106	229	291	386
4"	F10	97.6	101.6	119	241	308	423

DIN

SIZE	ISO5211	ΦDn	ΦD	ΦD1	L	H1	H3
DN10	F04	9	12	34	89	175.5	226
DN15	F04	15	18	34	89	175.5	226
DN20	F04	19	22	34	89	175.5	226
DN25	F04	25	28	50.5	114	179	230
DN32	F04	31	34	50.5	117	198	235
DN40	F05	37	40	50.5	142	206	243
DN50	F05	49	52	64	156	237	315
DN65	F07	66	70	91	207	269	338
DN80	F07	81	85	106	229	291	386
DN100	F10	100	104	119	241	308	423



调节式蝶阀 Regulating butterfly valve



应用Applications

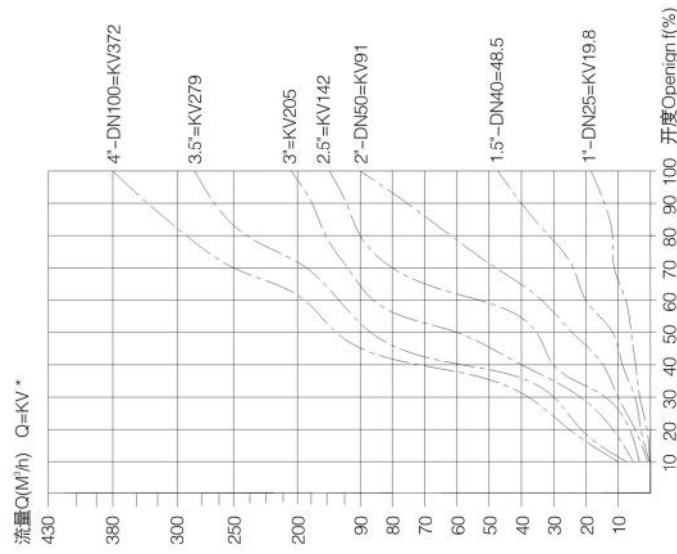
调节式气动蝶阀，可以应用各种流量控制系统中，如食品饮料、酿酒、制药等工业领域，该阀门具有无死角，流量大的特点，维护非常简单的筒单，外观体积较小。

Regulating butterfly valve, can be applied to a variety of flow control system, such as food and beverage, brewing, pharmaceutical and other industrial fields, the valve has the characteristics of no dead angle, flow and so on, maintenance is very simple, the appearance of small volume.

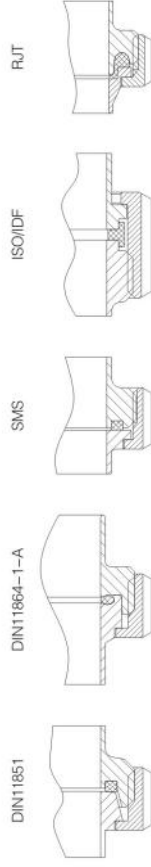
技术规格Technical specifications

- ◆ SIZE: 1"-4", DN25-DN100
- ◆ 材质: 304/316L
- ◆ 压力: 10bar
- ◆ 温度: 130°C
- ◆ 内表面粗糙度: Ra0.4 μ m(选项)
- ◆ 连接方式: 焊接、卡箍、螺纹、法兰等标准
- ◆ SIZE: 1"-4", DN25-DN100
- ◆ Material: 304 / 316L
- ◆ Pressure: 10bar
- ◆ Temperature: 130 °C
- ◆ The inner surface roughness: Ra0.4 μ m
- ◆ Connection: welding, clamps, threaded, flange and other standards

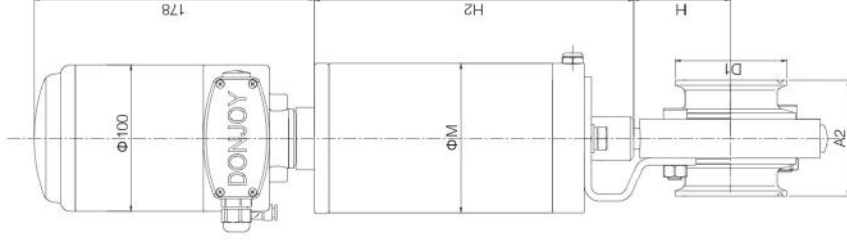
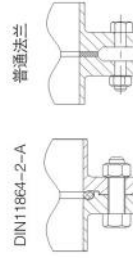
蝶阀流量KV值曲线图 Butterfly valve flow KV value curve



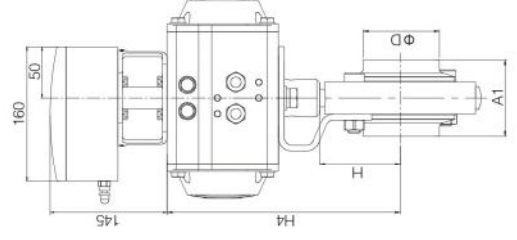
各种螺纹接口标准 Various thread interface



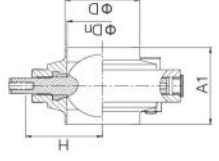
各种法兰连接标准 All kinds of flange interface



不锈钢气动执行器+定位器
NO.VDF103Q1



铝制气动执行器+方形定位器
NO.VDF104Q2



NO.VDF100XX

DIN

SIZE	Dn	D	D1	H	H1	H2	H4	M	A2	A1
DN25	25	26/29	50.5	40	43.5	172.5	124	86	66	50
DN32	31	34/35	50.5	44.5	43.5	172.5	124	86	66	50
DN40	37	40/41	50.5	46.5	43.5	172.5	124	86	70	50
DN50	49	52/53	64	54.5	47.5	172.5	124	86	76	52
DN65	66	70	91	64	47.5	172.5	138	86	80	56
DN80	81	85	108	70.5	50	172.5	138	86	84	56
DN100	100	104	119	81	50	172.5	150	86	104	64
DN125	125	129	144.5	94.5	52.5	248	196	113	122	80
DN150	150	154	167	110	52.5	285	196	133	146	90

INCH

SIZE	Dn	D	D1	H	H1	H2	H4	M	A2	A1
1"	22.4	25.4	50.5	40	43.5	172.5	124	86	66	50
1 1/4"	28.8	31.8	50.5	40	43.5	172.5	124	86	66	50
1 1/2"	35.1	38.1	50.5	44.5	43.5	172.5	124	86	70	50
2"	47.8	50.8	64	52.5	47.5	172.5	126	86	76	52
2 1/2"	59.5	63.5	77.5	59	47.5	172.5	138	86	80	63.5
3"	72.2	76.2	91	65.5	47.5	172.5	138	86	84	76.2
3.5"	85	88.9	108	72	50	172.5	138	86	86	88.9
4"	97.6	101.6	119	79	50	172.5	150	86	104	101.6
6"	146.8	146.8	167	110	52.5	285	196	133	146	152.4



隔膜式调节阀

Diaphragm regulating valve



应用Applications

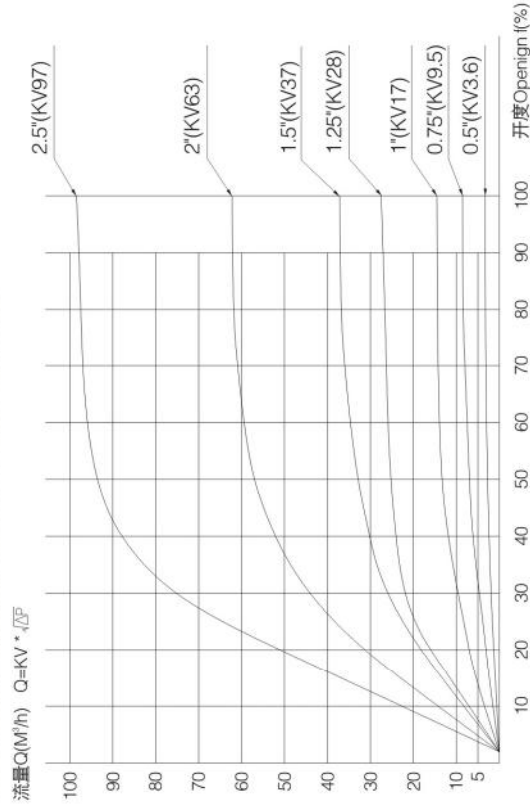
隔膜式调节阀，主要应用在生物制药流体控制系统中。该阀门完全排空设计，无死角，与介质接触部位高纯度不锈钢和PTFE材料，因此非常适合高洁净要求的工艺管路系统中。该阀体结构具有多种形式组合(请查阅DONJOY隔膜阀资料)。

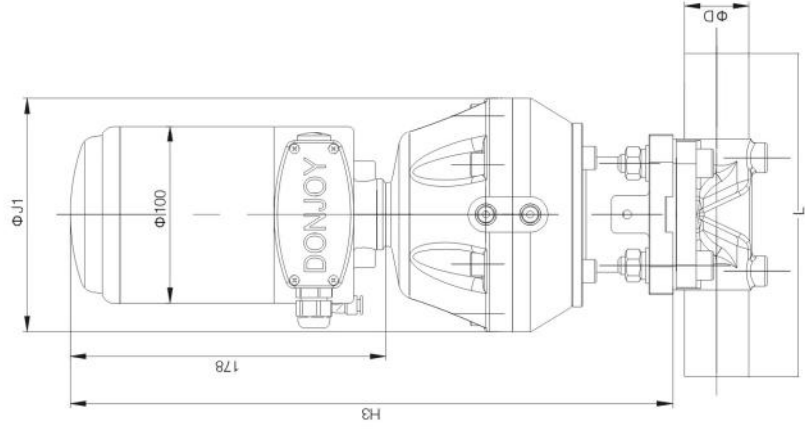
Diaphragm regulating valve, mainly in the bio pharmaceutical flow control system, the valve is completely self emptying design, no dead angle, parts of high purity stainless steel and PTFE material in contact with the medium, and therefore very suitable for high requirements of clean technology in pipeline system.

技术规格 Technical specifications

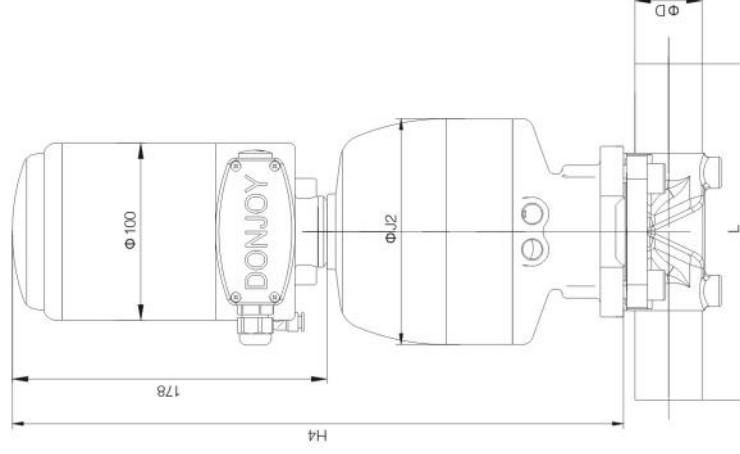
- ◆ SIZE: 1"-4", DN25-DN100
- ◆ 材质: 304/316L
- ◆ 压力: 10bar
- ◆ 温度: 150°C
- ◆ 内表面粗糙度: Ra0.4 μ m(选项)
- ◆ 连接方式: 焊接、卡箍、螺纹、法兰等标准
- ◆ SIZE: 1"-4", DN25-DN100
- ◆ Material: 304 / 316L
- ◆ Pressure: 10bar
- ◆ Temperature: 150 °C
- ◆ The inner surface roughness: Ra0.4 μ m
- ◆ Connection: welding, clamps, threaded, flange and other standards

隔膜阀流量/选择(开度f)图表
Diaphragm regulating valve KV value curve flow

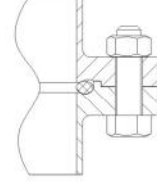
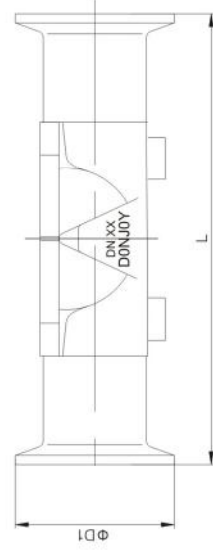




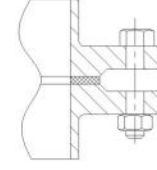
塑料气动隔膜阀+定位器
NO.VGZ103Q2



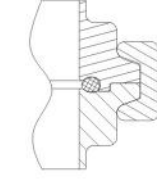
不锈钢气动隔膜阀+定位器
NO.VGZ103Q1



DIN11864-2



普通法兰



DIN11864-3

DIN32676/DIN11850-1/2

SIZE	D	J1	J2	L	H3	H4
DN20	22/23	132	108	145.4	331	331
DN25	28/29	132	108	145.4	331	331
DN32	34/35	162	137	178.4	370	370
DN40	40/41	162	137	178.4	370	370
DN50	52/53	162	137	198.4	381	381
DN65	70	162	162	216	379	379
DN80	85	162	162	216	379	379

ASME BPE/ASTM 269

SIZE	D	J1	J2	L	H3	H4
1"	25.4	132	108	145.4	331	331
1.25"	31.8	162	137	178.4	370	370
1.5"	38.1	162	137	178.4	370	370
2"	50.8	162	137	198.4	381	381
2.5"	63.5	162	162	216	379	379
3"	76.2	162	162	216	379	379





CHINA DONJOY TECHNOLOGY CO.,LTD.

DONJOY looking forward to your visit! Your telecommunications!

WWW.CNDONJOY.COM



中国·东正 科技有限公司

地址:温州空港经济技术开发区
温州滨海经济技术开发区
总机: 0577-86990888
传真: 0577-86998000

Add: Wenzhou airport economic and
technological development zone
Wenzhou binhai economic and
technological development zone
Tel: +86-577-86990888
Fax: +86-577-86998000
E-mail: donjoy@cndonjoy.com

www.cndonjoy.com

法律声明:
自 Copyright 本属东正所有, 如有抄袭东正将追究其法律责任和经济赔偿。
东正众多技术设计, 都具有专利保护, 如有抄袭, 东正必将追究法律责任和经济赔偿。